

COOL  
CLEAN  
COOK

PRODUCT  
PRICE  
GUIDE

JAN 10

# Top Class!



**NORDMENDE**  
HOME ECONOMICS

## COOK &gt; INTEGRATED DOUBLE OVENS

**BUILT-IN  
DOUBLE OVEN**  
BLACK - DOI300BL



Main oven: multifunction  
Top oven:  
Conventional with grill  
A rated  
Elec. clock/programmer

RRP €594 PRF €5

TOTAL  
€599

**BUILT-IN  
DOUBLE OVEN**  
S/STEEL - DOI300IX



Main oven: multifunction  
Top oven:  
Conventional with grill  
A rated  
Elec. clock/programmer

RRP €594 PRF €5

TOTAL  
€599

**BUILT UNDER  
DOUBLE OVEN**  
BLACK - DOU300BL



Main oven: multifunction  
Top oven:  
Conventional with grill  
A rated  
Elec. clock/programmer

RRP €594 PRF €5

TOTAL  
€599

**BUILT UNDER  
DOUBLE OVEN**  
S/STEEL - DOU300IX



Main oven: multifunction  
Top oven:  
Conventional with grill  
A rated  
Elec. clock/programmer

RRP €594 PRF €5

TOTAL  
€599

## COOK &gt; INTEGRATED SINGLE OVENS

**INTEGRATED SINGLE  
CONVENTIONAL OVEN**  
BLACK - SO100BL  
S/STEEL - SO100IX



Single conventional oven  
Grill  
B rated  
Minute minder

BL: RRP €254 PRF €5  
SS: RRP €274 PRF €5

BL TOTAL SS TOTAL  
€259 €279

**INTEGRATED  
SINGLE FAN OVEN**  
BLACK - SO200BL  
S/STEEL - S200IX



Single fan oven  
Grill  
B rated  
Minute minder

BL: RRP €274 PRF €5  
SS: RRP €294 PRF €5

BL TOTAL SS TOTAL  
€279 €299

**INTEGRATED SINGLE  
MULTIFUNCTION OVEN**  
BLACK - SO300BL



Single multifunction oven  
B rated  
Elec. clock/programmer  
Self-cleaning side liners

RRP €354 PRF €5

TOTAL  
€359

**INTEGRATED SINGLE  
MULTIFUNCTION OVEN**  
S/STEEL - SO300IX



Single multifunction oven  
B rated  
Elec. clock/programmer  
Self-cleaning side liners

RRP €374 PRF €5

TOTAL  
€379



## COOK > HOBS

**SOLID PLATE  
ELECTRIC HOB**  
BLACK - HE60BL  
S/STEEL - HE60IX



Solid plate electric hob  
Side controls  
2 x 2kw plates  
1 x 1.75kw, 1 x 1kw plate

BL: RRP € 149  
SS: RRP € 149

BL TOTAL    SS TOTAL  
**€149    €149**

**CERAMIC HOB**  
FRAMELESS - HC60FL  
S/STEEL TRIM - HC60IX



60cm ceramic hob  
Side controls  
4 cooking zones  
Residual heat indicator lights

FL: RRP €239  
SS: RRP €259

FL TOTAL    SS TOTAL  
**€239    €259**

**FRAMELESS TOUCH  
CONTROL HOB**  
60cm - HCT60FL



Touch front controls  
Frameless  
4 cooking zones  
Child lock

RRP €299

TOTAL  
**€299**

**FRAMELESS TOUCH  
CONTROL HOB**  
78cm - HCT78FL



Touch front controls  
Frameless  
4 cooking zones  
Child lock

RRP €399

TOTAL  
**€399**

## COOK > HOBS

**FRAMELESS  
INDUCTION HOB**  
60cm - HCI60FL



4 induction zones  
Frameless  
Pot detection  
Child lock

RRP €499

TOTAL  
**€499**

**FRAMELESS  
INDUCTION HOB**  
78cm - HCI78FL



4 induction zones  
Frameless  
Pot detection  
Child lock

RRP €699

TOTAL  
**€699**

**4 RING GAS HOB**  
BLACK - HG60BL  
S/STEEL - HG60IX



4 burners  
Side controls  
Cast iron pan supports  
Flame failure device

BL: RRP €179  
SS: RRP €179

BL TOTAL    SS TOTAL  
**€179    €179**

**5 RING GAS HOB**  
BLACK - HGW70BL  
S/STEEL - HGW70IX



5 burners incl. wok burner  
Front controls  
Cast iron pan supports  
Flame failure device

BL: RRP €289  
SS: RRP €289

BL TOTAL    SS TOTAL  
**€289    €289**



## COOK &gt; COOKER HOODS

All cooker hoods suitable for recirculating or ducted extraction.

**60cm CANOPY  
COOKER HOOD**  
1 x MOTOR - CHCAN1M  
2 x MOTORS - CHCAN2M



CHCAN1M: 250m3/hr  
CHCAN2M: 400m3/hr  
Metal filters  
Metallic grey  
Duct size: 4-5"

1M: RRP €59  
2M: RRP €79

1M TOTAL    2M TOTAL  
**€59        €79**

**60cm INTEGRATED  
COOKER HOOD**  
1 x MOTOR - CHINT1M  
2 x MOTORS - CHINT2M



CHINT1M: 248m3/hr  
CHINT2M: 320m3/hr  
Metal filters  
Metallic grey  
Duct size: 4-5"

1M: RRP €89  
2M: RRP €119

1M TOTAL    2M TOTAL  
**€89        €119**

**CHIMNEY  
COOKER HOOD**  
60cm - CHCMY60IX  
90cm - CHCMY90IX



450m3/hr  
Push button control  
Metal filters  
Stainless steel  
Duct size: 5-6"

60: RRP €129  
90: RRP €159

60 TOTAL    90 TOTAL  
**€129        €159**

**S/STEEL & GLASS  
CHIMNEY COOKER HOOD**  
60cm - CHGLS60IX  
90cm - CHGLS90IX



450m3/hr  
2 Halogen lamps  
Metal filters  
Stainless steel & glass  
Duct size: 5-6"

60: RRP €349  
90: RRP €399

60 TOTAL    90 TOTAL  
**€349        €399**

## COOK &gt; INTEGRATED &amp; FREESTANDING MICROWAVE OVENS

**INTEGRATED  
MICROWAVE OVEN**  
KAL6900Q  
+ KAL6900QKIT (KIT)



900w microwave  
1000w grill  
Auto defrost  
Child lock

Product may vary from image  
shown from Spring 2010

KAL6900Q: RRP €159  
KAL6900QKIT: RRP €41

TOTAL  
**€199**

**F/S MICROWAVE OVEN**  
WHITE - NM800WH  
SILVER - NM800SL



800w microwave  
Manual  
Timer  
Defrost setting

WH: RRP €69.99  
SL: RRP €69.99

WH TOTAL    SL TOTAL  
**€69.99    €69.99**

**F/S MICROWAVE OVEN**  
BLACK - NM820BL  
SILVER - NM822SL



800w  
Digital controls  
5 power levels  
Defrost setting

BL: RRP €79.99  
SL: RRP €79.99

BL TOTAL    SL TOTAL  
**€79.99    €79.99**



## CLEAN > INTEGRATED LAUNDRY

**INTEGRATED WASHING MACHINE**  
WMI1400NM



1400 rpm  
AAB rated  
6kg  
15 programmes  
Fully integrated

RRP €594 PRF €5

TOTAL  
€599

**INTEGRATED WASHER DRYER**  
WDI1200NM



1200rpm  
BAB rated  
6kg wash/4kg dry  
15 programmes  
Fully integrated

RRP €674 PRF €5

TOTAL  
€679

**F/S WASHING MACHINE**  
WHITE - WMSN129WH  
SILVER - WNSN129SL



1200 rpm, 9kg extra large capacity, A+AB rated, twin jet wash system, Variable spin  
Available March 09

WH: RRP €394 PRF €5  
SL: RRP €424 PRF €5

WH TOTAL SL TOTAL  
€399 €429

## CLEAN > FREESTANDING LAUNDRY

**F/S WASHING MACHINE**  
WHITE - WM1000WH  
SILVER - WM1000SL



1000 rpm, AA rated  
Variable spin, 5kg

Model number and design may vary from product shown from Spring 2010

WH: RRP €274 PRF €5  
SL: RRP €294 PRF €5

WH TOTAL SL TOTAL  
€279 €299

**F/S WASHING MACHINE**  
WHITE - WM1200WH  
SILVER - WM1200SL



1200 rpm, AA rated  
Variable spin, 6kg

Model number and design may vary from product shown from Spring 2010

WH: RRP €294 PRF €5  
SL: RRP €334 PRF €5

WH TOTAL SL TOTAL  
€299 €339

**F/S WASHING DRYER**  
WHITE - WD1200LUXNMWH  
SILVER - WD1200LUXNMSL



1200 rpm, BAB rated  
Variable spin, 6kg (wash & dry)

WH: RRP €590 PRF €5  
SL: RRP €640 PRF €5

WH TOTAL SL TOTAL  
€595 €645



**CLEAN > FREESTANDING TUMBLE DRYERS**

**F/S VENTED DRYER  
WHITE - TDV6NMWH**



Reversible Drum, C Rated  
Delay timer, 6kg

RRP €234 PRF €5

TOTAL  
€239

**F/S VENTED DRYER  
SILVER - TDV6NMSL**



Reversible Drum, C Rated  
Delay timer, 6kg

Product may vary from image  
shown from Spring 2010

RRP €234 PRF €5

TOTAL  
€239

**F/S CONDENSER DRYER  
WHITE - TDC7NMWH**



Reversible Drum, C Rated  
Delay Timer, 6kg

RRP €344 PRF €5

TOTAL  
€349

**F/S CONDENSER DRYER  
SILVER - TDC7NMSL**



Reversible Drum, C Rated  
Delay Timer, 6kg

Product may vary from image  
shown from Spring 2010

RRP €344 PRF €5

TOTAL  
€349

**CLEAN > INTEGRATED DISHWASHERS**

**SEMI INTEGRATED  
DISHWASHER  
BLACK - DSSN60BL**



7 programmes  
AAA rated  
47db  
Half load option

RRP €424 PRF €5

TOTAL  
€429

**SEMI INTEGRATED  
DISHWASHER  
S/STEEL - DSSN60IX**



7 programmes  
AAA rated  
47db  
Half load option

RRP €424 PRF €5

TOTAL  
€429

**FULLY INTEGRATED  
DISHWASHER  
DFSN60**



9 programmes  
AAA rated  
47db  
Half load option

RRP €444 PRF €5

TOTAL  
€449

**FULLY INTEGRATED  
DISHWASHER  
DFSN45**



10 programmes  
AAA rated  
54db  
10 place settings

RRP €489 PRF €5

TOTAL  
€494



### CLEAN > FREESTANDING DISHWASHERS

F/S DISHWASHER  
WHITE - DW60WH



AA rated, 4 programmes  
49dB, Foldable racks

Model number and design may vary  
from product shown from Spring 2010

RRP €294 PRF €5

TOTAL  
€299

F/S DISHWASHER  
SILVER - DW60SL



AA rated, 4 programmes  
49dB, Foldable racks

Model number and design may vary  
from product shown from Spring 2010

RRP €334 PRF €5

TOTAL  
€339

F/S DISHWASHER  
WHITE - DWSN60WH



AAA rated, 7 programmes  
47dB, Half load option

Product may vary from image  
shown from Spring 2010

RRP €364 PRF €5

TOTAL  
€369

F/S DISHWASHER  
SILVER - DWSN60SL



AAA rated, 7 programmes  
47dB, Half load option

Product may vary from image  
shown from Spring 2010

RRP €394 PRF €5

TOTAL  
€399

### CLEAN > VACUUM CLEANERS

CYLINDER VACUUM  
CLEANER  
RED/SILVER - NM80173



1600w  
Permanent reusable bag  
Tools on board  
Metal tubes

RRP €49.99

TOTAL  
€49.99

CYLINDER VACUUM  
CLEANER  
GREY/SILVER - NM80172



2000w  
Permanent reusable bag  
Tools on board  
Telescopic tubes

RRP €59.99

TOTAL  
€59.99

WET & DRY CANISTER  
VACUUM CLEANER  
GREEN - WD3100



1600w  
Wet and dry  
Adjustable power level  
Sink unblocking

RRP €129

TOTAL  
€129



**COOL > INTEGRATED REFRIGERATION**

All refrigeration has reversible doors.

**INTEGRATED FRIDGE/  
FREEZER**  
RIFF5050NM



F/f capacity 152/94L  
A rated  
Auto defrost fridge  
Glass shelves  
4\* freezer

RRP €479 PRF €20

TOTAL  
€499

**INTEGRATED FRIDGE/  
FREEZER**  
RIFF7030NM



F/f capacity 192/84L  
A rated  
Auto defrost fridge  
Glass shelves  
4\* freezer

RRP €479 PRF €20

TOTAL  
€499

**COOL > INTEGRATED REFRIGERATION**

All refrigeration has reversible doors.

**UNDER COUNTER  
4\* FREEZER**  
RIUF100NM



Freezer capacity 120L  
A rated  
3 x drawers  
4\* freezer

RRP €369 PRF €10

TOTAL  
€379

**UNDER COUNTER  
FRIDGE WITH ICE BOX**  
RIUI120NM



F/icebox capacity 101/17L  
A rated  
Antibacterial System  
Analogical temp control

RRP €389 PRF €10

TOTAL  
€399

**UNDER COUNTER  
LARDER FRIDGE**  
RIUL140NM



Fridge capacity 142L  
A rated  
Auto defrost  
Analogical temp control

RRP €369 PRF €10

TOTAL  
€379



### COOL > FREESTANDING REFRIGERATION

All refrigeration has reversible doors.

**F/S FRIDGE/FREEZER**  
 WHITE - RFF260WH  
 SILVER - RFF260SL  
 H144 W55 D60 cm



F/f capacity 189/49L  
 A rated  
 Auto defrost fridge  
 Glass shelves

WH: RRP €279 PRF €20  
 SL: RRP €299 PRF €20

WH TOTAL SL TOTAL  
 €299 €319

**F/S FRIDGE/FREEZER**  
 WHITE - RFF311NFWH  
 SILVER - RFF311NFSL  
 H166 W55 D60 cm



FROST  
 FREE

F/f capacity 159/104L  
 A rated  
 Frost free  
 Glass shelves

WH: RRP €379 PRF €20  
 SL: RRP €419 PRF €20

WH TOTAL SL TOTAL  
 €399 €439

**F/S FRIDGE/FREEZER**  
 WHITE - RFF330WH  
 SILVER - RFF330SL  
 H170 W60 D60 cm



F/f capacity 190/111L  
 A rated  
 Auto defrost fridge  
 Glass shelves

WH: RRP €379 PRF €20  
 SL: RRP €399 PRF €20

WH TOTAL SL TOTAL  
 €399 €419

**F/S FRIDGE/FREEZER**  
 WHITE - RFF365WH  
 SILVER - RFF365SL  
 H185 W60 D60 cm



F/f capacity 234/110L  
 A rated  
 Auto defrost fridge  
 Glass shelves

WH: RRP €429 PRF €20  
 SL: RRP €449 PRF €20

WH TOTAL SL TOTAL  
 €449 €469

### COOL > FREESTANDING REFRIGERATION

All refrigeration has reversible doors.

**F/S FRIDGE/FREEZER**  
 WHITE - RFF366NFWH  
 SILVER - RFF366NFSL  
 H185 W60 D60 cm



FROST  
 FREE

F/f capacity 237/98L  
 A rated  
 Frost free  
 Glass shelves

WH: RRP €459 PRF €20  
 SL: RRP €479 PRF €20

WH TOTAL SL TOTAL  
 €479 €499

**F/S 4\* UNDER  
 COUNTER FREEZER**  
 WHITE - RUF145WH  
 SILVER - RUF145SL  
 H84 W55 D60 cm



Freezer capacity 101L  
 4\* freezer  
 A rated  
 Reversible doors

WH: RRP €209 PRF €10  
 SL: RRP €229 PRF €10

WH TOTAL SL TOTAL  
 €219 €239

**F/S FRIDGE WITH  
 ICE BOX**  
 WHITE - RUI140WH  
 SILVER - RUI140SL  
 H84 W55 D60 cm



F/ice box capacity 108/13L  
 A rated  
 Auto defrost fridge  
 Glass shelves

WH: RRP €189 PRF €10  
 SL: RRP €209 PRF €10

WH TOTAL SL TOTAL  
 €199 €219

**F/S UNDER COUNTER  
 LARDER FRIDGE**  
 WHITE - RUL150WH  
 SILVER - RUL150SL  
 H84 W55 D60 cm



Fridge capacity 134L  
 A rated  
 Auto defrost  
 Glass shelves

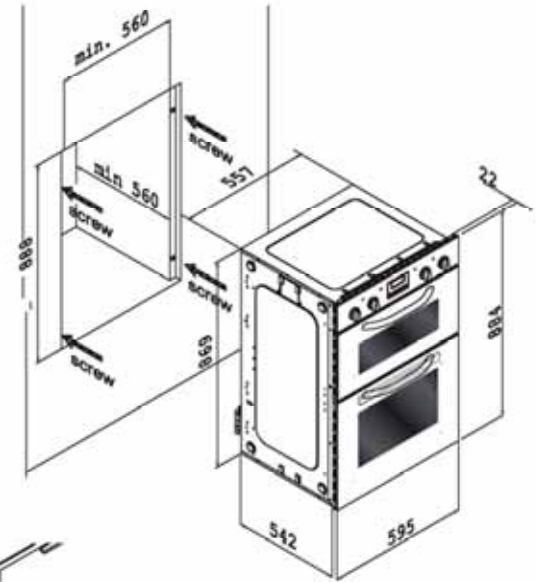
WH: RRP €189 PRF €10  
 SL: RRP €209 PRF €10

WH TOTAL SL TOTAL  
 €199 €219

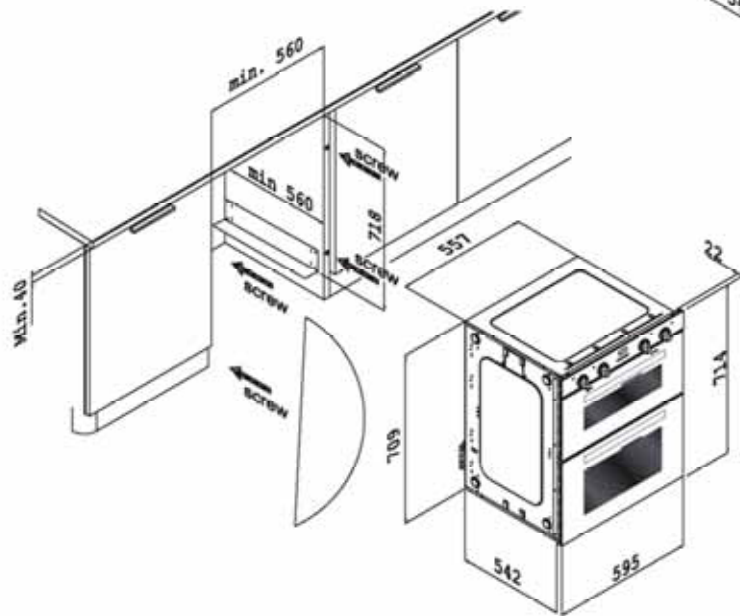
## INTEGRATED OVEN DIMENSIONS

The line drawings in this brochure are provided as a guide to general dimensions only and are subject to amendment without prior notice. For full dimensional and installation details please refer to the documentation supplied with the appliance.

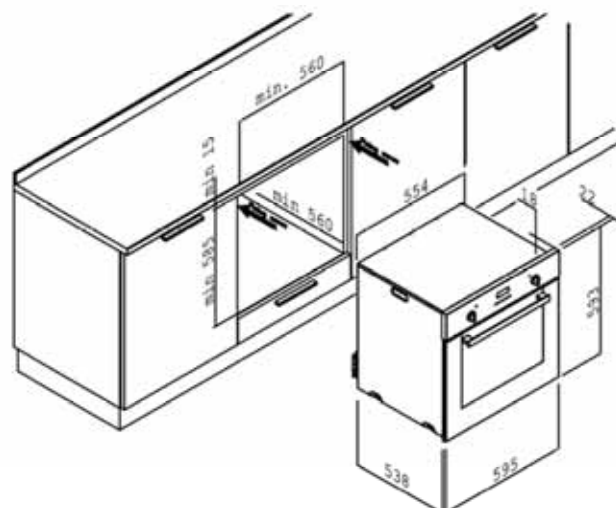
DOI300BL  
DOI300IX



DOU300BL  
DOU300IX



SO100BL  
SO100IX  
SO200BL  
SO200IX  
SO300BL  
SO300IX

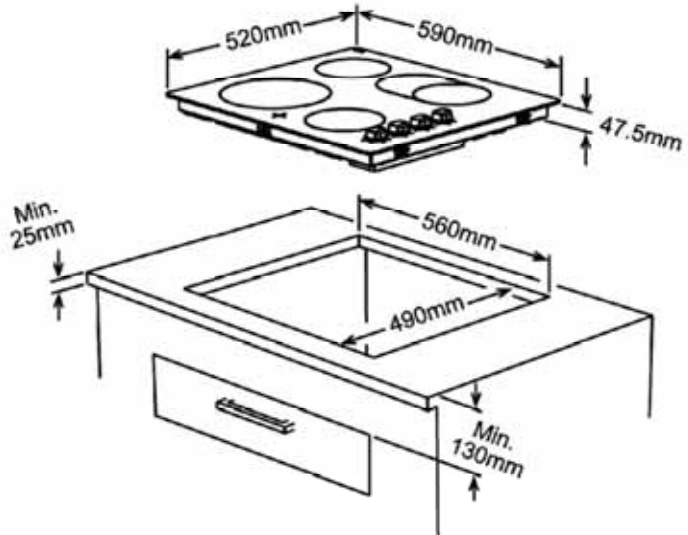




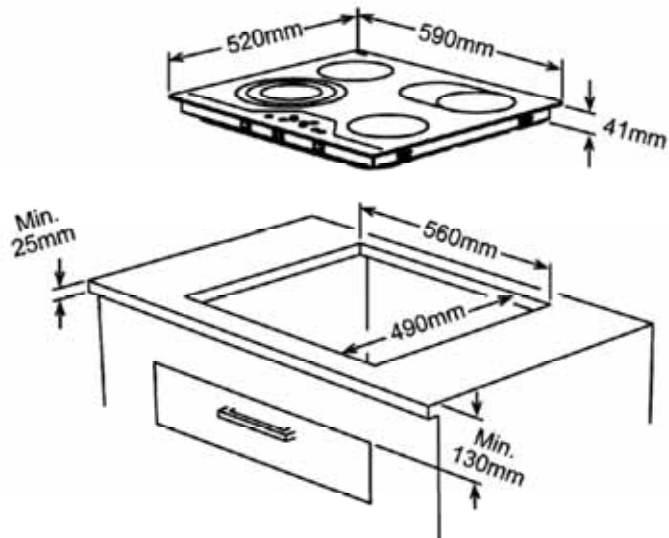
## INTEGRATED HOB DIMENSIONS

The line drawings in this brochure are provided as a guide to general dimensions only and are subject to amendment without prior notice. For full dimensional and installation details please refer to the documentation supplied with the appliance.

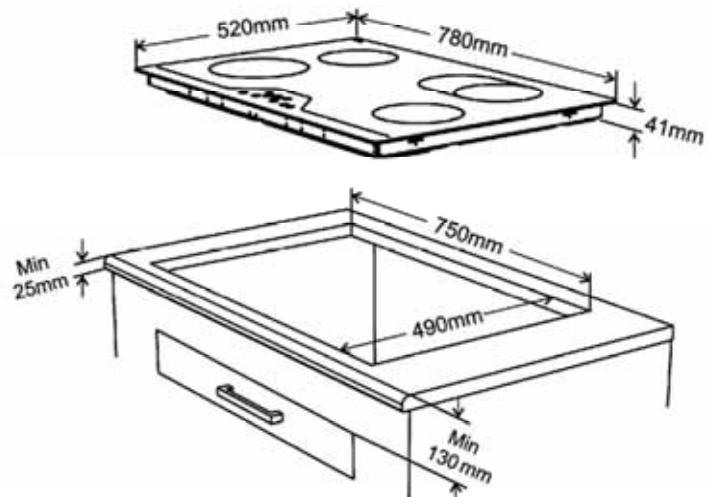
### HC60IX HC60FL



### HCT60FL



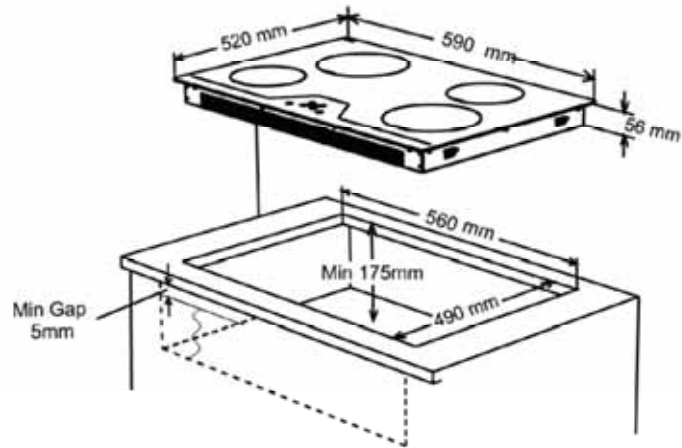
### HCT78FL



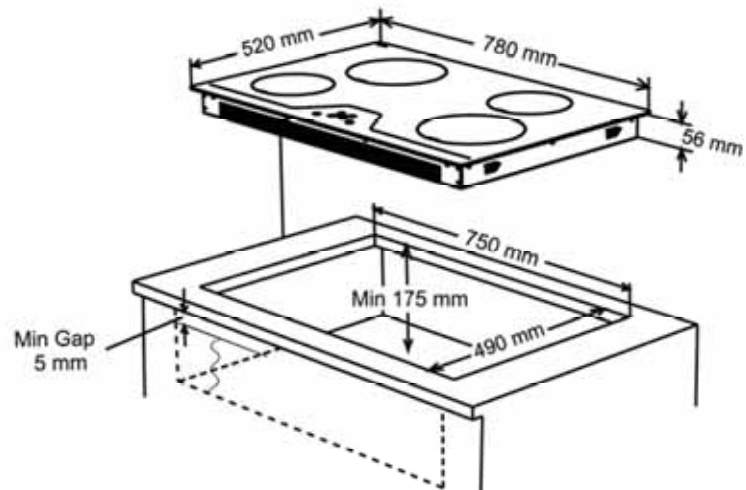
## INTEGRATED HOB DIMENSIONS

The line drawings in this brochure are provided as a guide to general dimensions only and are subject to amendment without prior notice. For full dimensional and installation details please refer to the documentation supplied with the appliance.

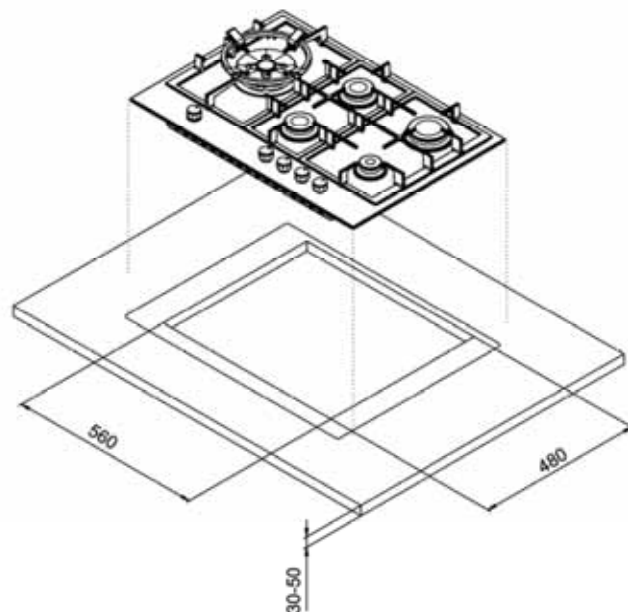
### HCI60FL



### HCI78FL



### HE60BL/IX HG60BL/IX HGW70BL/IX

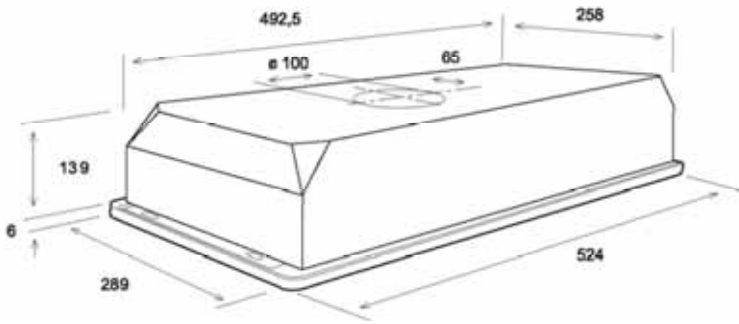




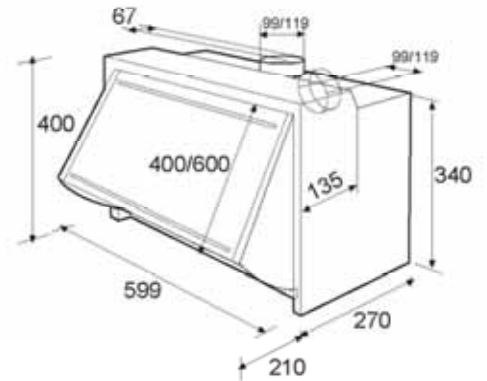
## INTEGRATED COOKER HOOD / MICROWAVE DIMENSIONS

The line drawings in this brochure are provided as a guide to general dimensions only and are subject to amendment without prior notice. For full dimensional and installation details please refer to the documentation supplied with the appliance.

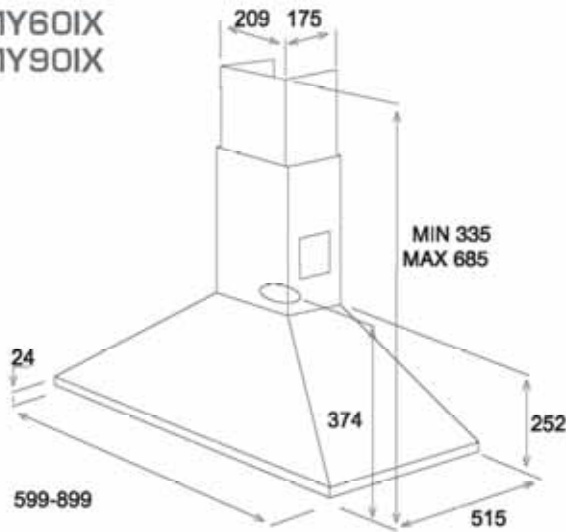
**CHCAN1M  
CHCAN2M**



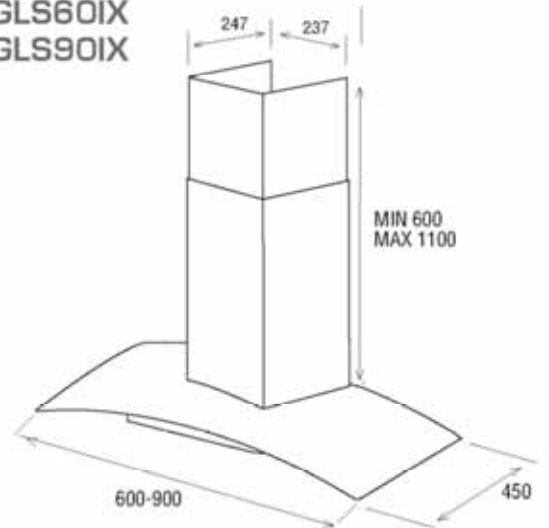
**CHINT1M  
CHINT2M**



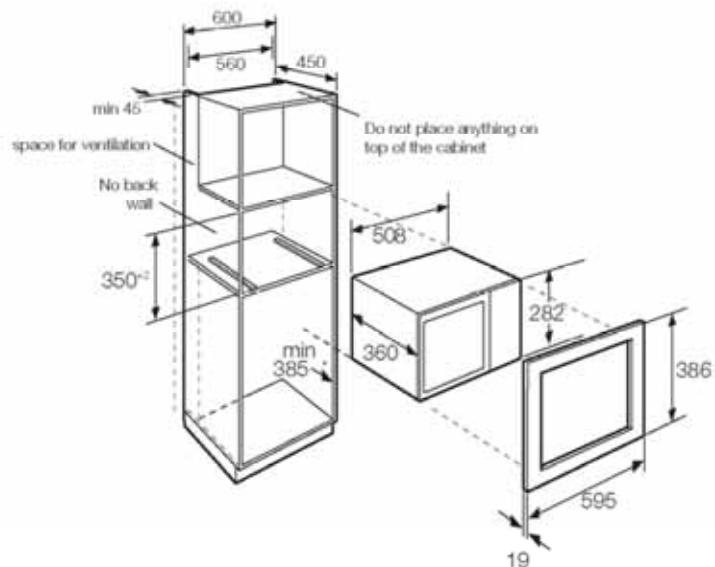
**CHCMY60IX  
CHCMY90IX**



**CHGLS60IX  
CHGLS90IX**



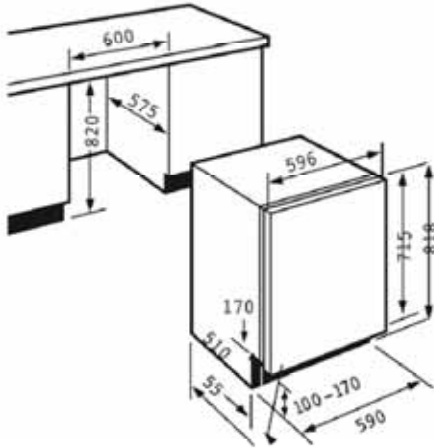
**KAL6900QKIT**



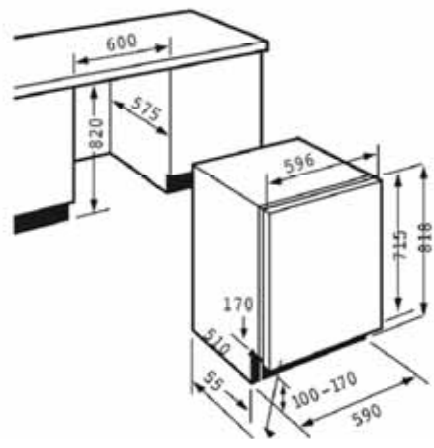
## INTEGRATED LAUNDRY DIMENSIONS

The line drawings in this brochure are provided as a guide to general dimensions only and are subject to amendment without prior notice. For full dimensional and installation details please refer to the documentation supplied with the appliance.

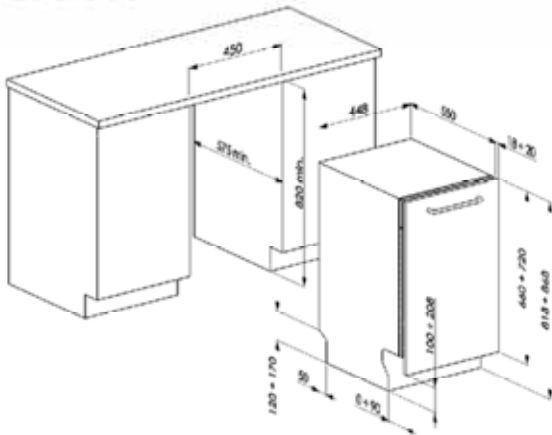
WDI1200



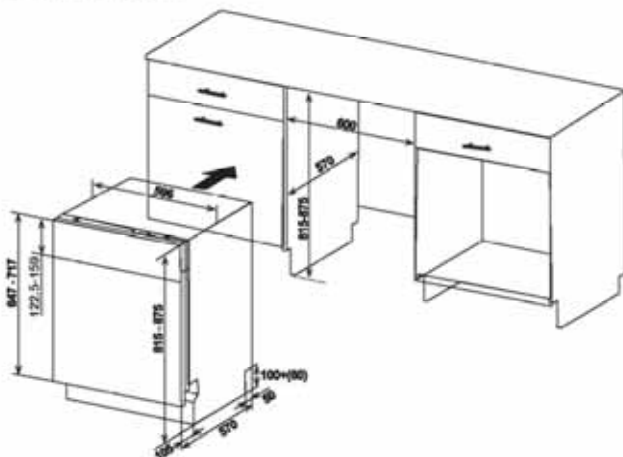
WMI1200



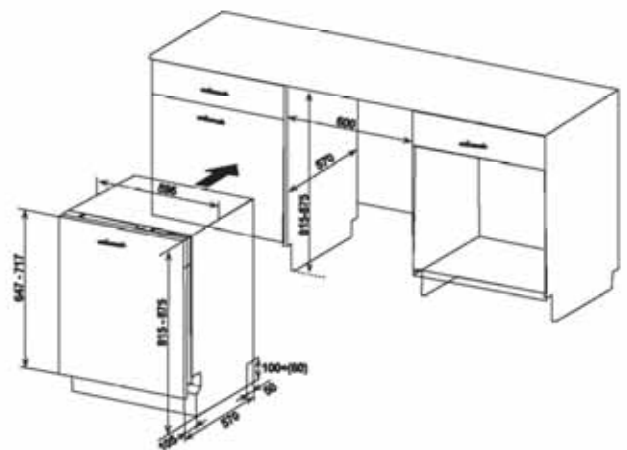
DFSN45



DSSN60BL  
DSSN60IX



DFSN60







KAL Group  
4078 Kingswood Road  
Citywest Business Campus  
Dublin 24

T: 01 413 6400  
info@kal.ie  
www.kal.ie



QUALITY  
I.S. EN ISO 9001:2008  
NSAI Certified

---

## After-Sales Service

At Nordmende, the quality of our after-sales service is just as important to us as the quality of our products.

Naturally, if you choose an appliance supplied by us, you will be able to rely upon your appliance to provide you with many years of loyal service and devotion to duty.

However, in the event of a problem, you can feel secure in the knowledge that Nordmende's service is based right here in Ireland with a network of engineers nationwide.

If you do encounter a problem, simply contact Kalserve using the relevant information below:

Telephone  
From ROI 01 4136 481  
From NI 00353 1 4136 481  
or email  
kalserve@kal.ie

Kalserve  
4078 Kingswood Road  
Citywest Business Campus  
Dublin 24

[www.kal.ie](http://www.kal.ie)

---

## Information needed to log a Nordmende service call

Before contacting Kalserve please have the following information to hand:

1. Full model number
2. Full serial number
3. Date of purchase
4. Name of retailer purchased from
5. Your name, full address and contact number
6. Fault details

---

## Warranty Information

Nordmende COOL, CLEAN, COOK products: 3 year Parts and Labour\*

\* Nordmende COOL, CLEAN, COOK products are fully guaranteed for 2 years from the date of purchase. If you register your product online within 30 days you'll receive an additional 1 year guarantee (so 3 years in total). During that time period any repairs you need will be carried out by our national network of service engineers. **To register your product please visit [www.nordmende.ie](http://www.nordmende.ie)** Your warranty covers major parts. Please visit [www.nordmende.ie](http://www.nordmende.ie) for listings of parts covered under warranty. Excludes microwaves and vacuum cleaners which carry a 1 year parts and labour warranty.

---

We reserve the right to alter specification without prior notice.

All prices shown are inclusive of VAT at 21%.