

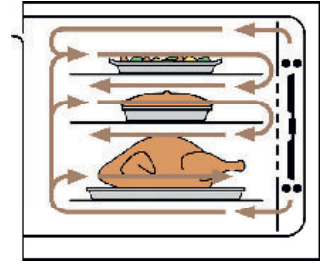


A Taste of the Collection
Price Guide - January 2010

What is CircoTherm®?



Neff introduced CircoTherm® cooking 35 years ago. This method of forced air cooking continues to be the benchmark for all fan ovens.



CircoTherm® works by drawing air in from the oven via a powerful fan. It then heats up the air and forces it right back into the oven cavity through strategically placed ducts in the rear wall. By continuously circulating hot air around the oven in this way the desired temperature is achieved more quickly and evenly than in a normal oven, saving time and energy as little or no preheating is required. Because the hot air is focused directly onto the food being cooked, the heat is evenly distributed on shelf positions 1, 3 and 4. Shelf position 2 will have a lower temperature. In fact, a complete three course meal can be cooked at the same time on the three shelf levels without the flavours intermingling.

As temperatures are lower, there is less splashing and spitting with CircoTherm®, making the oven much easier to clean too. CircoTherm® is great for roasting because of the way and speed at which the heat is delivered, as a result roasts are quickly sealed. This means the juices are retained, producing less shrinkage and moist, succulent joints. CircoTherm®, grilling is the perfect way to grill foods which usually need to be grilled at the same time as other foods. There's no need to turn fish, burgers, steaks and sausages as the air circulates around them providing an even cooking result.

The Series Concept

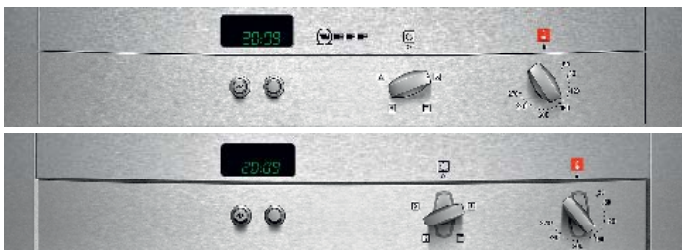
Series 1

Design features
There are 2 different types of oven in Series 1, one with a printed metal fascia and one with a bevelled metal fascia. For the most part they share the same features, but differ in visual style.

Features
The printed metal fascia model features separate function and temperature selectors, offset clock and controls, flat printed fascia, a bar handle and a stainless steel edged door.

Design features
The bevelled metal fascia model has the same design features as the other except for a bevelled glass fascia panel, bevelled bar handle and a 'U-form' door design.

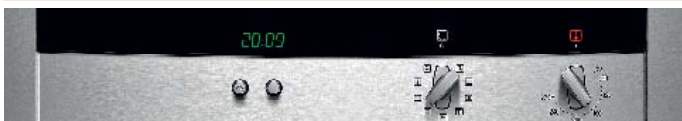
Features
Features on the printed metal fascia model include a mechanical control, fixed bevelled oval controls, three CircoTherm® functions, framed glass inner door, double glazed door and QuickConnect shelf supports.



Series 2

Design features
These models have a glass panel with a bevelled fascia edge.

Features
All the features as Series 1, additional CircoTherm and multifunction functions. Models now feature a triple glazed door. A SlideAway door model is now available.



Series 3

Design features
Features include a central oval bevelled control, a symmetrical designed layout, a bevelled glass fascia, bevelled bar handle and a 'U-form' door design.

Features
Features include electronic control with digital temperature display, retractable controls, 9 multifunctions, frameless full glass inner door, triple glazed door and QuickConnect shelf supports. A SlideAway door model is available.



Series 4

Design features
Features include a central oval bevelled control, a symmetrical designed layout, a bevelled glass fascia, bevelled bar handle and a 'U-form' door design.

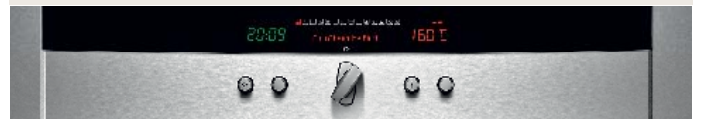
Features
Features include electronic control with digital temperature and function display, retractable controls, 12 multifunctions, frameless full glass inner door, triple glazed door, Revolution handle and a FlexiRail system with plug in / plug out rails. A SlideAway door model is available.



Series 5

Design features
Features include a central oval bevelled control, a symmetrical designed layout, a bevelled glass fascia, bevelled bar handle and a 'U-form' door design.

Features
The same features as Series 4 plus electronic control with ClearText, temperature and function displays, NeffLight and soft eject retractable control. A SlideAway door model is available.



Series 6

Design features
This top-of-the-range oven includes all the design features of earlier series plus touch control and a NeffNavigator control.

Features
As Series 5 plus additional functions – memory, Sabbath setting, keep warm and plate warming. A SlideAway door model is available.



In addition to great design, Neff products also benefit from innovative features exclusive to the brand, in addition to the famous Circotherm. Here is an example of just a few of them.

SlideAway Door

Neff provides appliances that are tailored to modern lifestyles and requirements. Our unique SlideAway door facility fits smoothly under the oven to give you plenty of room as well as better access to the oven's interior - ensuring an easy and flexible approach to your cooking needs.



NeffLight®

We're the first appliance manufacturer to introduce bright, effective halogen lighting inside our ovens. A unique feature, the Neff Light® lets you see exactly what you're cooking without opening the oven door.



FlexiRail® System

Flexirail® makes your oven more versatile. It's an internal rail and shelving system that means you can easily change and reconfigure your oven to accommodate different sized pans, dishes and roasting joints.



Revolution Handle

As well as looking extremely smart, Neff's unique Revolution handle is ergonomically designed to make opening and closing your oven remarkably easy and safe.



Warming Drawers

Warming drawers are a must have for the serious cook. They're useful and versatile, and will not only help you with the preparation and timing of your meals, but also are ideal for defrosting delicate foods.



Steam Cooking

With healthy eating high on everyone's agenda, steam cooking has become an increasingly popular option in the kitchen. Our latest advanced CircoSteam ovens allow you to combine hot air cooking and steaming at the same time.



Point & Twist control

Point & Twist control is a clever way of controlling your hob with a removable magnetic dial. Your hob is kept neat and uncluttered, and the control system is sensitive and easy to use.



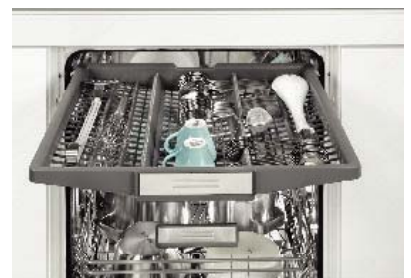
Halogen lamps

The halogen lighting that's stylishly integrated into our extractor hoods provides crisp accurate lighting that's perfect for cooking, but can be brought down to create a softer, more ambient atmosphere when you're ready to eat.




VarioFlex baskets

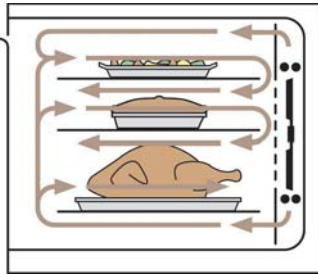
Fitting different sized plates, pans, bowls and casserole dishes in a dishwasher can be a challenge. As the name suggests, VarioFlex gives you all the flexibility you need to make the most of your dishwasher.




Please note that the functions available on Neff oven vary depending on the model. Please refer to the Neff 2009 Collection large brochure or www.neff.ie for more information on the functions available on specific models.

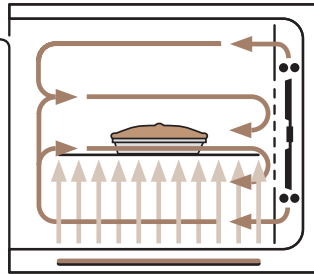
CircoTherm®

 A powerful fan draws air from the interior of the oven. It then heats up the air and forces it right back into the oven cavity through strategically placed shaped ducts in the rear wall. This system means the oven heats up rapidly, and needs little or no preheating.




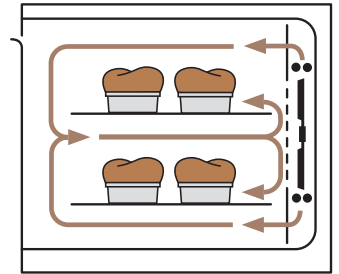
CircoTherm® intensive

 Uses a combination of CircoTherm® and bottom heat. This is ideal for anything that needs a crispy underside like pizzas, or speciality breads. It can also be used for one stage pastry such as lemon meringue pie, eliminating the need for blind baking.




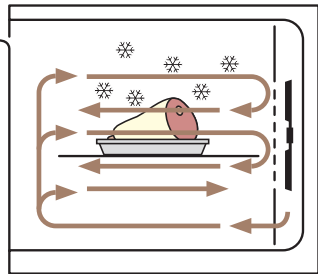
Bread Baking

 Available on Series 4, 5 and 6 Neff ovens, the bread baking temperature varies between 180°C and 220°C. This is ideally suited to baking crusty bread with an open texture. Up to three levels of bread can be baked at the same time.




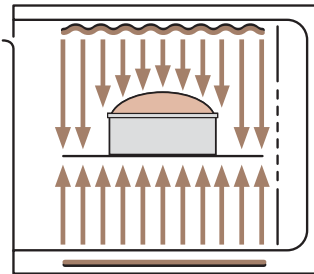
Defrost

 The CircoTherm® fan will circulate unheated air through the oven to speed up defrosting times. Ideal for delicate foods as well as fish and poultry.




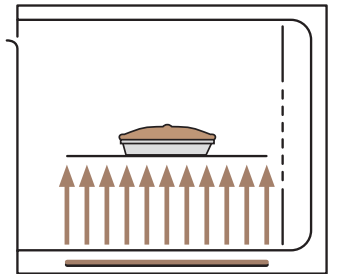
Top/bottom heat

 Providing conventional cooking heat sources at the top and bottom of the oven. Heat travels to the centre of the oven by natural conduction. This is ideal for baking pastries and scones.




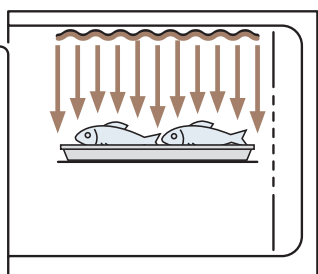
Bottom heat

 Providing heat from the bottom of the oven only, for more focused heat and control. This method is ideal for pizza bases and pastry cases where you need a crispy underside.




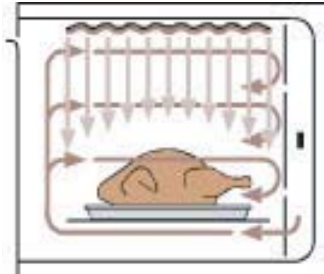
Full surface grill

 The grill element is situated in the oven roof. It is thermostatically controlled and will cycle on and off to maintain the required temperature.



CircoRoasting

 The grill element cycles on and off alternately, and the fan distributes the heat produced by the grill. This method can reduce cooking times by 35%-40% and is ideal for meats and poultry if you're after a rotisserie result.



Other Functions





BI4M42 SINGLE OVEN

- **CircoTherm Series 1**
- EasyClock ■ Automatic programmer
- 58 litre capacity ■ Retractable controls
- A Rated ■ Double glazed doors
- Catalytic back liner only

ST/STEEL (In stock)

RRP €552 PRF €5 **TOTAL €557**

BLACK (In stock)

RRP €542 PRF €5 **TOTAL €547**

WHITE/BROWN (4-5 day lead time)

RRP €542 PRF €5 **TOTAL €547**



BI4M62 SINGLE OVEN

- **CircoTherm Series 1**
- EasyClock ■ Automatic programmer
- 58 litre capacity ■ Retractable controls
- A Rated ■ Double glazed doors
- Catalytic liners back, roof and sides

ST/STEEL (In stock)

RRP €691 PRF €5 **TOTAL €696**

BLACK (In stock)

RRP €661 PRF €5 **TOTAL €666**

WHITE/ BROWN (4-5 day lead time)

RRP €661 PRF €5 **TOTAL €666**



BI5M42/B45M42 SINGLE OVEN

- **CircoTherm Series 2**
- EasyClock ■ Automatic programmer
- 58 litre capacity ■ Retractable controls
- A Rated ■ Triple glazed door
- Catalytic liners back and roof

ST/STEEL (In stock)

RRP €791 PRF €5 **TOTAL €796**

BLACK (In stock)

RRP €691 PRF €5 **TOTAL €696**

B45M42 - SlideAway Door (In stock)

RRP €890 PRF €5 **TOTAL €895**



BI5M62/B45M62 SINGLE OVEN

- **CircoTherm Series 2**
- EasyClock ■ Automatic programmer
- 58 litre capacity ■ Retractable controls
- A Rated ■ Triple glazed door
- Catalytic liners back, roof and sides

ST/STEEL (In stock)

RRP €890 PRF €5 **TOTAL €895**

BLACK (In stock)

RRP €791 PRF €5 **TOTAL €796**

B45M62 - SlideAway Door (In stock)

RRP €990 PRF €5 **TOTAL €995**



BI5E42/B45E42 SINGLE OVEN

- **CircoTherm Series 3**
- EasyClock ■ Automatic programmer
- 58 litre capacity ■ Retractable controls
- A Rated ■ Triple glazed door
- Electronic temperature display
- CeramiClean - back, roof and side liners

ST/STEEL (In stock)

RRP €1,089 PRF €5 **TOTAL €1,094**

BLACK (4-5 day lead time)

RRP €990 PRF €5 **TOTAL €995**

B45E42 SlideAway Door (In stock)

RRP €1,189 PRF €5 **TOTAL €1,194**



BI5E54/B45E54 SINGLE OVEN

- **CircoTherm Series 4**
- Revolution handle
- 58 litre capacity ■ FlexiRail system
- A Rated ■ Triple glazed door
- Electronic temperature display
- CeramiClean - back, roof and side liners

ST/STEEL (In stock)

RRP €1,189 PRF €5 **TOTAL €1,194**

BLACK (4-5 day lead time)

RRP €1,089 PRF €5 **TOTAL €1,094**

B45E54 - SlideAway Door (In stock)

RRP €1,289 PRF €5 **TOTAL €1,294**



BI5P42 PYROLYTIC SINGLE OVEN

- **CircoTherm Series 3**
- EasyClock ■ Automatic programmer
- 56 litre capacity oven ■ QuickConnect
- A Rated ■ Triple glazed door
- Electronic temperature display
- Pyrolytic ■ Electronic safety sensors

ST/STEEL (In stock)

RRP €990 PRF €5 **TOTAL €995**

BLACK (4-5 day lead time)

RRP €950 PRF €5 **TOTAL €955**



UI4M42 DOUBLE OVEN

- **CircoTherm Series 1** main oven
- Conventional & grill in top oven
- EasyClock ■ Automatic programmer
- Retractable controls ■ Double glazed doors
- A Rated main oven ■ B Rated top oven
- Catalytic back liner main oven

ST/STEEL (In stock)

RRP €950 PRF €5 **TOTAL €955**

BLACK (In stock)

RRP €850 PRF €5 **TOTAL €855**

WHITE/ BROWN (4-5 day lead time)

RRP €850 PRF €5 **TOTAL €855**



UI5M42 DOUBLE OVEN

- **CircoTherm Series 2** main oven
- Conventional & grill in top oven
- EasyClock ■ Automatic programmer
- Retractable controls ■ Double glazed doors
- A Rated main oven ■ B Rated top oven
- Catalytic liners in both ovens

ST/STEEL (In stock)

RRP €1,149 PRF €5 **TOTAL €1,154**

BLACK (In stock)

RRP €990 PRF €5 **TOTAL €995**



UI5M62 DOUBLE OVEN

- **CircoTherm Series 2** main oven
- Conventional & grill in top oven
- EasyClock ■ Automatic programmer
- Retractable controls ■ Double glazed doors
- A Rated main oven ■ B Rated top oven
- Catalytic back, roof & side liners in both

ST/STEEL (In stock)

RRP €1,289 PRF €5 **TOTAL €1,294**

BLACK (In stock)

RRP €1,189 PRF €5 **TOTAL €1,194**



UI5E42 DOUBLE OVEN

- **CircoTherm Series 3** main oven
- Conventional & grill in top oven
- EasyClock ■ Automatic programmer
- Electronic temp display ■ Triple glazed doors
- A Rated main oven ■ B Rated top oven
- CeramiClean back, roof & side liners

ST/STEEL (In stock)

RRP €1,488 PRF €5 **TOTAL €1,493**

BLACK (4-5 day lead time)

RRP €1,388 PRF €5 **TOTAL €1,393**



UI7M42 DOUBLE OVEN

- **CircoTherm Series 1** main oven
- Conventional & grill in top oven
- EasyClock ■ Automatic programmer
- Retractable controls ■ Triple glazed doors
- A Rated main oven ■ B Rated top oven
- Catalytic back liner main oven only

ST/STEEL (In stock)

RRP €990 PRF €5 **TOTAL €995**

BLACK/ WHITE (4-5 day lead time)

RRP €940 PRF €5 **TOTAL €945**



C17E74 COMPACT OVEN

- **Circotherm Series 5**
- Electronic control ■ Temp. display
- Revolution handle ■ Telescopic FlexiRail
- CeramiClean ■ 45 litre capacity
- A rated ■ Safety lock

ST/STEEL (4-5 day lead time)
RRP €1089 PRF €5 **TOTAL €1,094**
BLACK (4-5 day lead time)
RRP €1060 PRF €5 **TOTAL €1,064**



C57M70 MICROWAVE/COMBI OVEN

- **Series 3** ■ Electronic control
- Microwave / hot air / hot air grilling
- Microwave combi cooking
- 15 automatic cooking programmes
- Child safety lock ■ 36 litre capacity

ST/STEEL (In stock)
RRP €890 PRF €5 **TOTAL €895**
BLACK (In stock)
RRP €850 PRF €5 **TOTAL €855**



C67M70 MULTIFUNCTION OVEN WITH MICROWAVE & GRILL

- **Series 5** ■ Electronic control
- Hot air / hot air grilling / grill
- Microwave combi cooking
- 70 automatic cooking programmes
- Child safety lock ■ 42 litre capacity

ST/STEEL (In stock)
RRP €1239 PRF €5 **TOTAL €1,244**
BLACK (4-5 day lead time)
RRP €1189 PRF €5 **TOTAL €1,194**



C67P70 MULTIFUNCTION OVEN WITH MICROWAVE & GRILL

- **Series 5** ■ Pyrolytic cleaning
- Hot air / hot air grilling / grill
- Microwave combi cooking
- 70 automatic cooking programmes
- Child safety lock ■ 42 litre capacity

ST/STEEL (In stock)
RRP €1438 PRF €5 **TOTAL €1,443**
BLACK (4-5 day lead time)
RRP €1388 PRF €5 **TOTAL €1,393**

IN-LINE COLLECTION STEAM OVENS & COFFEE CENTRE



C47D22 STEAM OVEN

- **Series 3** ■ Steaming 35 - 100 °C
- Defrost ■ Safety switch off
- Multi level cooking option
- 20 automatic cooking programmes
- Child safety lock ■ 35 litre capacity

ST/STEEL (In stock)
RRP €990 PRF €5 **TOTAL €995**



C47C42 CIRCOSTEAM COMBINATION OVEN

- **Series 5** ■ Steaming 35 - 100 °C
- Hot air cooking 30 - 230 °C
- 70 automatic cooking programmes
- Multi level cooking option
- 32 litre capacity

ST/STEEL (In stock)
RRP €1438 PRF €5 **TOTAL €1,443**
BLACK (4-5 day lead time)
RRP €1388 PRF €5 **TOTAL €1,393**



C77V60 COFFEE CENTRE

- **Series 5** ■ Fully programmable functions
- Steam and hot water function
- Water filter ■ 2.5 litre capacity tank
- Bean to cup operation ■ Automatic rinse, cleaning and descaling programme

ST/STEEL (In stock)
RRP €1543 PRF €0 **TOTAL €1543**

WARMING DRAWERS



N21H40/N22H40 WARMING DRAWER

- N21H40 - 6 place setting
- N22H40 - 12 place setting
- Cookware, food warming and defrosting
- Available in black & stainless steel

N21H40 ST/TEEL (In stock)
N21H40 BLACK (4-5 day lead time)
RRP €477 PRF €0 **TOTAL €477**
N22H40 ST/STEEL (In stock)
N22H40 BLACK (4-5 day lead time)
RRP €507 PRF €0 **TOTAL €507**

BUILT-IN COMPACT MICROWAVES



C54L70/C54R70 MICROWAVE & GRILL

- **Series 3** ■ Microwave grill combination
- Quartz grill
- 24 hour level LED clock
- 21 litre capacity
- 5 power levels
- Max 900 Watts
- Available with right or left hinge door

ST/STEEL (4-5 day lead time)
RRP €776 PRF €0 **TOTAL €776**



H56W20 MICROWAVE OVEN (60cm wide tall housing unit)

- Microwave
- 5 power levels
- Cooling system ■ Memory programme
- Weight automatic cooking & defrosting programmes
- Side opening door ■ Max 900 Watts

ST/STEEL (In stock)
RRP €497 PRF €0 **TOTAL €497**
BLACK (In stock)
RRP €427 PRF €0 **TOTAL €427**
WHITE (4-5 day lead time)
RRP €427 PRF €0 **TOTAL €427**



H53W50 MICROWAVE OVEN (50cm wide wall cupboard)

- Microwave
- 5 power levels ■ Memory programme
- Weight automatic cooking & defrosting programmes
- Builds into a 50cm wall cupboard
- Side opening door ■ Max 800 Watts

ST/STEEL (In stock)
RRP €397 PRF €0 **TOTAL €397**
BLACK (4-5 day lead time)
RRP €298 PRF €0 **TOTAL €298**
WHITE (4-5 day lead time)
RRP €298 PRF €0 **TOTAL €298**



N21H45 WARMING DRAWER

- 6 place setting
- Cookware, food warming and defrosting
- Handleless push/pull opening

ST/STEEL (4-5 day lead time)
RRP €487.00 PRF €0 **TOTAL €487**
BLACK (4-5 day lead time)
RRP €487.00 PRF €0 **TOTAL €487**



N21H10 ACCESSORY DRAWER

- Stainless steel fronted storage drawer
- Weight capacity 15kg
- Designed for installation under single or compact ovens

ST/STEEL (4-5 day lead time)
RRP €298 PRF €0 **TOTAL €298**



TI1K10 4 SEALED PLATE HOB

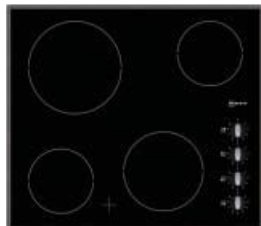
- Series 1
- 4 sealed plate electric hob
- 4 fast plates
- Controls positioned at the side

ST/STEEL RRP €218

(4-5 day lead time)

BLACK/WHITE/BROWN RRP €218

(4-5 day lead time)



T12K10 / T13K10 4 ZONE 60CM CERAMIC HOB

- Series 1
- 4 QuickLight cooking zones
- 1 stage residual heat indicator
- Oval controls positioned at the side

ST/STEEL TRIM RRP €397

(In stock)

FRAMELESS RRP €397

(In stock)



T12D20 4 ZONE 60CM CERAMIC HOB

- Series 2
- Frameless with printed trim effect
- 4 QuickLight cooking zones (1 dual)
- Electronic touch control
- Child safety lock & safety cut out facility

FRAMELESS RRP €557

(In stock)



T12D80 4 ZONE 80CM CERAMIC HOB

- Series 2
- Frameless with printed trim effect
- 4 QuickLight zones (1 dual, 1 extendable)
- Electronic touch control
- Child safety lock & safety cut out facility

FRAMELESS RRP €796

(In stock)



T42D20 4 ZONE 60CM INDUCTION HOB

- Series 2 60cm 4 zone induction hob
- Frameless with printed trim effect
- Electronic touch controls
- 4 power boost zones
- Child safety lock
- Control panel suspension

FRAMELESS RRP €696

(In stock)

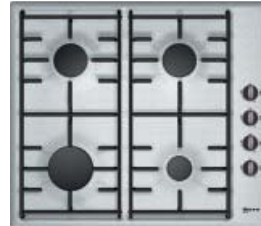


T42D85 4 ZONE 80CM INDUCTION HOB

- Series 2 80cm 4 zone induction hob
- Frameless with printed trim effect
- Electronic touch controls
- 4 power boost zones
- Child safety lock
- Control panel suspension

FRAMELESS RRP €995

(In stock)



T21S31 4 BURNER 60CM GAS HOB

- Series 1
- 60cm 4 burner side control hob
- 1 high speed, 2 standard, 1 economy
- Enamelled pan supports
- Flame failure

ST/STEEL RRP €278

(In stock)

BLACK/WHITE/BROWN RRP €268

(4-5 day lead time)



T23S36 4 BURNER 60CM GAS HOB

- Series 2
- 60cm 4 burner front control hob
- 1 high speed, 2 standard, 1 economy
- Cast iron pan supports
- Flame failure

ST/STEEL RRP €397

(In stock)



T26S56 5 BURNER 70CM GAS HOB

- Series 2
- 70cm 5 burner front control hob
- 1 high speed, 2 standard, 1 wok, 1 economy
- Cast iron pan supports
- Flame failure

ST/STEEL RRP €497

(In stock)



T29S96 6 BURNER 90CM GAS HOB

- Series 2
- 90cm 6 burner front control hob
- 2 standard, 2 wok, 2 economy
- Cast iron pan supports
- Flame failure

ST/STEEL RRP €676

(4-5 day lead time)



T62S26 4 BURNER GAS HOB ON GLASS

- Series 2
- 60cm 4 burner hob on glass
- 1 high speed, 2 standard, 1 economy
- Cast iron pan supports
- Flame failure

BLACK RRP €487

(4-5 day lead time)



T63S46 5 BURNER GAS HOB ON GLASS

- Series 2
- 70cm 5 burner hob on glass
- 1 high speed, 2 standard, 1 wok
- Cast iron pan supports
- Flame failure

BLACK RRP €646

(In stock)



D5625 CANOPY COOKER HOOD

- 53cm single motor canopy hood
- 2 speed plus intensive
- Switch control operation
- 2 x 40 watt lights ■ 1 Paper grease filter
- Noise level 60 dB max

53cm **SILVER METALLIC RRP €128**
(In stock)



D5645/D5855 CANOPY COOKER HOOD

- Twin motor canopy hood
- 53cm & 73cm available
- 3 speed plus intensive
- 2 x 40 watt lights ■ 2 Metal grease filters
- Noise level 59dB / 62dB max

53cm **SILVER METALLIC RRP €248**
(In stock)
73cm **SILVER METALLIC RRP €298**
(In stock)



D2615 INTEGRATED COOKER HOOD

- 60cm single motor integrated hood
- 3 speed switch control operation
- Accepts furniture door
- 1 x 40 watt light ■ Paper grease filter
- Noise level 60 dB at max

60cm **SILVER METALLIC RRP €128**
(In stock)



D4618 TELESCOPIC COOKER HOOD

- 60cm single motor telescopic hood
- 3 speed switch control operation
- Metal grease filter
- Silver metallic front trim included
- Noise level 63 dB at max

60cm **SILVER METALLIC RRP €188**
(4-5 day lead time)



D66B20/D69B20 CHIMNEY HOOD

- **Series 1** wall mounted chimney hood
- 60cm & 90cm available
- 3 speed, slide control operation
- 2 x 40 watt lights
- Metal grease filters
- Noise level 67 dB max

60cm **WHITE/ BLACK/ ST/STEEL RRP €298**
(4-5 day lead time)
90cm **ST/STEEL RRP €358**
(In stock)
90cm **WHITE/ BLACK RRP €358**
(4-5 day lead time)



D66S23/D67S23/D69S23/D60S23 CHIMNEY HOOD

- **Series 2** wall mounted chimney hood
- 60cm, 70cm, 90cm & 100cm available
- 3 speed push button operation
- 2 x 40 watt lights
- 2 Metal grease filters
- Noise level 65 dB max

60cm **ST/STEEL RRP €447**
70cm **ST/STEEL RRP €497**
90cm **ST/STEEL RRP €547**
100cm **ST/STEEL RRP €597**
(4-5 day lead time for all models)



D76E21/ D77E21/D79E21/D72E21 CHIMNEY HOOD

- **Series 2** wall mounted chimney hood
- 60cm, 70cm, 90cm & 120cm available
- 3 speed switch control operation
- 2 x 40 watt lights (4 lights on 120cm)
- Metal grease filters
- Noise level 65 dB max

60cm **ST/STEEL RRP €447**
(4-5 day lead time)
70cm **ST/STEEL RRP €497**
(4-5 day lead time)
90cm **ST/STEEL RRP €547**
(In stock)
120cm **ST/STEEL RRP €696**
(4-5 day lead time)



D86D35/D89D35 CHIMNEY HOOD

- **Series 4** wall mounted chimney hood
- 60cm & 90cm available
- Glass metal canopy on D89D35
- 3 speeds plus intensive
- Electronic control via soft touch operation
- 2 x 20 watt lights ■ 2 Metal grease filters
- Noise level 58 dB max

60cm **ST/STEEL RRP €686**
(4-5 day lead time)
90cm **ST/STEEL RRP €766**
(In stock)



D99A58 TELESCOPIC CHIMNEY HOOD

- **Series 5** 90cm telescopic hood
- 3 speeds plus intensive
- LED display with saturation indication
- 4 x 20 watt lights, dimmer function
- 4 Metal grease filters
- Noise level 63 dB max

90cm **ST/STEEL RRP €1,244**
(4-5 day lead time)



D99W45 CHIMNEY HOOD

- **Series 5** 90cm wall mounted chimney hood
- Clear or black glass canopy
- 3 speeds plus intensive
- Electronic control via soft touch operation
- 2 x 20 watt lights ■ 1 Metal grease filter
- Noise level 54 dB max

90cm **BLACK GLASS RRP €995**
(4-5 day lead time)
90cm **CLEAR GLASS RRP €1,045**
(4-5 day lead time)



I71F45 ISLAND CHIMNEY HOOD

- **Series 4** 100cm island chimney hood
- 3 speeds plus intensive
- LED display with saturation indication
- 4 x 20 watt lights
- Metal grease filters
- Noise level 59 dB max

100cm **ST/STEEL RRP €1,194**
(4-5 day lead time)



I91T58 ISLAND CHIMNEY HOOD

- **Series 5** 100cm island chimney hood
- 3 speeds plus intensive
- Dual sided controls
- 4 x 20 watt lights
- 2 Metal grease filters
- Noise level 60 dB max

100cm **ST/STEEL RRP €1,642**
(4-5 day lead time)



K4316 INTEGRATED LARDER FRIDGE

- Series 1 built-under larder fridge
- CFC/HFC free ■ Automatic defrost
- 141 Litre (5.0cu ft) total capacity
- Recessed fruit and vegetable drawer
- Safety glass shelves (one divides)
- Annual Energy consumption 146kWh
- Anti bacterial system inside
- Reversible door
- A rated

RRP €487 PRF €10 **TOTAL €497**
(In stock)

G4344 BUILT-UNDER INTEGRATED FREEZER

- Series 1 built-under 4 Star freezer
- CFC/HFC free
- 98 Litre (3.5cu ft) total capacity
- Three pull out drawers
- SuperFreeze function
- Warning light ■ Acoustic alarm
- Annual Energy consumption 211kWh
- Reversible door
- A rated

RRP €497 PRF €10 **TOTAL €507**
(In stock)

K4336 BUILT-UNDER INTEGRATED FRIDGE

- Series 1 built-under fridge
- 4 Star freezer
- CFC/HFC free ■ Reversible door
- 110 Litre (3.9cu ft) fridge capacity
- 15 Litre (0.5cu ft) freezer capacity
- Recessed fruit and vegetable drawer
- Annual Energy consumption 203kWh
- Anti bacterial system inside
- A rated

RRP €547 PRF €10 **TOTAL €557**
(4-5 day lead time)

K5654 INTEGRATED FRIDGE WITH FREEZER

- Series 4 fridge with 4-star freezer
- CFC/HFC free ■ Automatic defrost fridge
- 206 Litre (7.3cu ft) total capacity
- 17 Litre (0.6cu ft) freezer capacity
- CircoCool shelving ■ Reversible door
- Annual Energy consumption 224kWh
- Humidity controlled salad drawer
- Height adjustable safety glass shelves
- Anti bacterial system inside ■ A + rated

RRP €786 PRF €20 **TOTAL €806**
K5624 (as above with no freezer compartment) (4-5 day lead time)
RRP €786 PRF €20 **TOTAL €806**
(4-5 day lead time)



K9524 INTEGRATED MONOBLOC FRIDGE FREEZER

- Series 4 fridge/freezer
- CFC/HFC free
- 222 Litre (7.8cu ft) fridge capacity
- 63 Litre (2.2cu ft) freezer capacity
- Safety glass ■ CircoCool shelving
- Reversible door
- Annual Energy consumption 280kWh
- Anti bacterial system inside
- A + rated

RRP €925 PRF €20 **TOTAL €945**
(In stock)

K4254 INTEGRATED MONOBLOC FRIDGE FREEZER

- Series 4 fridge/freezer
- CFC/HFC free
- 168 Litre (5.9cu ft) fridge capacity
- 96 Litre (3.4cu ft) freezer capacity
- Automatic defrost in fridge
- Safety glass ■ CircoCool shelving
- Humidity controlled salad drawer
- Annual Energy consumption 288kWh
- Anti bacterial system inside ■ A + rated

RRP €975 PRF €20 **TOTAL €995**
(4-5 day lead time)

K4664 INTEGRATED FRIDGE WITH FREEZER

- Series 4 fridge/freezer
- 4 Star Freezer
- 246 Litre (8.7cu ft) fridge capacity
- 36 Litre (1.3cu ft) freezer capacity
- Safety glass ■ CircoCool shelving
- Internal LED electronic display
- Annual Energy consumption 259kWh
- SuperCool and FastFreeze function
- Anti bacterial system inside ■ A + rated

RRP €1174 PRF €20 **TOTAL €1194**
(In stock)

K4624 INTEGRATED LARDER FRIDGE

- Series 4 larder fridge
- 308 Litre (10.9cu ft) total capacity
- Safety glass shelving
- Internal LED electronic display
- SuperCool function
- 2 humidity controlled salad drawers
- Annual Energy consumption 142kWh
- Anti bacterial system inside
- Internal fridge fan ■ A + rated

RRP €1075 PRF €20 **TOTAL €1095**
(In stock)



K9724 FROST FREE FRIDGE FREEZER

- Series 5 fridge/freezer
- Internal LED electronic display
- 147 Litre (5.2cu ft) fridge capacity
- 86 Litre (3.0cu ft) freezer capacity
- SuperFreeze functions
- High temperature warning alarm
- Annual energy consumption 336kWh
- 2 humidity controlled salad drawers
- Height adjustable safety glass shelves
- Anti bacterial system inside ■ A rated

RRP €1174 PRF €20 **TOTAL €1,194**
(4-5 day lead time)



K5604 INTEGRATED FRIDGE G5624 INTEGRATED FREEZER

- **K5604 Series 3** fridge
- Automatic defrost ■ CFC/HFC free
- 153 Litre (5.4cu ft) fridge capacity
- Humidity controlled salad drawer
- Annual energy consumption 122kWh
- Anti bacterial system inside ■ A+ rated
- **G5624 Series 3** freezer,
- 98 Litre (3.5cu ft) freezer capacity
- Energy consumption 194kWh
- Optical and acoustic warning ■ A+ rated

K5604 INTEGRATED FRIDGE
RRP €646 PRF €20 **TOTAL €666**
(4-5 day lead time)
G5624 INTEGRATED FREEZER
RRP €699 PRF €10 **TOTAL €709**
(4-5 day lead time)



K5870 FREESTANDING FRIDGE FREEZER

- Frost free freezer with ice cube maker
- Internal LED electronic display
- 221 Litre (7.8cu ft) fridge capacity
- 66 Litre (2.3cu ft) freezer capacity
- Annual energy consumption 280kWh
- Stainless steel bottle rack
- Door open warning indicator
- Anti bacterial system inside
- A+ Rated

RRP €995 PRF €20 **TOTAL €1,015**
(4-5 day lead time)



K5880 FREESTANDING FRIDGE FREEZER

- Frost free freezer, ice cube maker
- Internal LED electronic display
- 221 Litre (7.8cu ft) fridge capacity
- 94 Litre (3.3cu ft) freezer capacity
- Annual energy consumption 308kWh
- Stainless steel bottle rack
- Door open warning indicator
- Anti bacterial system inside
- A+ Rated

RRP €1,045 PRF €20 **TOTAL €1,065**
(4-5 day lead time)



K3670 BUILT-IN WINE COOLER

- Built in wine cooler
- Auto Defrost ■ Internal LED display
- Anti-bacterial protection
- U.V. Protected tinted glass door
- 4 Contoured bottle shelves
- Stores up to 32, 0.75cl bottles
- 1 Flat shelf for party food ■ A Rated
- Right hinged door only

RRP €1,573 PRF €10 **TOTAL €1,583**
(4-5 day lead time)



K5920 AMERICAN STYLE FRIDGE FREEZER

- Stainless steel effect fridge freezer
- CFC/HFC Free
- Frost free freezer, wine rack
- 378 Litre (13.4cu ft) fridge capacity
- 178 Litre (6.3cu ft) freezer capacity
- Annual energy consumption 557kWh
- Water & ice dispenser
- Automatic defrost in fridge ■ A+ Rated

RRP €1,961 PRF €30 **TOTAL €1,991**
(4-5 day lead time)



K5930 AMERICAN STYLE FRIDGE FREEZER

- Stainless steel doors
- CFC/HFC free, frost free freezer
- Temp control VarioBox, wine rack
- 355 Litre (12.5cu ft) fridge capacity
- 178 Litre (6.3cu ft) freezer capacity
- Annual energy consumption 467kWh
- Water & ice dispenser
- Automatic defrost in fridge ■ A+ Rated

RRP €2,359 PRF €30 **TOTAL €2,389**
(4-5 day lead time)



K3990 AMERICAN STYLE FRIDGE FREEZER

- Fully clad stainless steel
- CFC/HFC free, frost free freezer
- Temp control VarioBox, wine rack
- 343 Litre (12.1cu ft) fridge capacity
- 175 Litre (6.2cu ft) freezer capacity
- Annual energy consumption 438kWh
- Automatic defrost in fridge
- Water & ice dispenser ■ A+ Rated

RRP €2,957 PRF €30 **TOTAL €2,987**
(In stock)

DISHWASHERS



S44E45 SEMI-INTEGRATED DISHWASHER

- Series 3 ■ 12 place setting
- 4 programmes ■ AquaStop,
- Time delay ■ Half load option
- Noise level 52 dB
- Water consumption 12 ltrs
- Triple A rated

ST/STEEL (In stock)

RRP €592 PRF €5 **TOTAL €597**

WHITE/BROWN (4-5 day lead time)

RRP €542 PRF €5 **TOTAL €547**



S41M50 SEMI-INTEGRATED DISHWASHER

- Series 4 ■ 13 place setting
- 5 programmes ■ AquaStop ■ Half load,
- Time delay ■ 3 level RackMatic system
- Noise level 48 dB ■ VarioSpeed
- Water consumption 12 ltrs
- Triple A rated

ST/STEEL (In stock)

RRP €691 PRF €5 **TOTAL €696**

BLACK/WHITE (4-5 day lead time)

RRP €651 PRF €5 **TOTAL €656**



S41T69 SEMI-INTEGRATED DISHWASHER

- Series 6 ■ 14 place setting
- 6 programmes ■ AquaStop ■ Half load
- Time delay ■ 3 level RackMatic system
- Noise level 44 dB ■ VarioSpeed
- Water consumption 10 ltrs
- Triple A rated

ST/STEEL (4-5 day lead time)

RRP €791 PRF €5 **TOTAL €796**

BLACK (4-5 day lead time)

RRP €791 PRF €5 **TOTAL €796**



S5943X2 FULLY INTEGRATED SLIMLINE DISHWASHER

- Series 4 ■ 9 place setting
- 4 programmes ■ AquaStop
- RackMatic system
- Noise level 52 dB
- Water consumption 13 ltrs
- Triple A rated

FULLY INTEGRATED (In stock)

RRP €691 PRF €5 **TOTAL €696**



S54M45XO FULLY INTEGRATED DISHWASHER

- Series 3 ■ 12 place setting
- 4 programmes ■ AquaStop ■ Half load
- Time delay
- Noise level 49 dB
- 2 level RackMatic system
- Water consumption 12 ltrs
- Triple A rated

RRP €592 PRF €5 **TOTAL €597**

(In stock)



S51E50XO FULLY INTEGRATED DISHWASHER

- Series 4 ■ 13 place setting
- 5 programmes ■ AquaStop ■ Half load
- Time delay ■ 3 level RackMatic system
- Noise level 48 dB ■ DosageAssist
- Programme end indicator ■ Child lock
- Water consumption 12 ltrs
- Triple A rated

RRP €691 PRF €5 **TOTAL €696**

(4-5 day lead time)



S52E50X1 FULLY INTEGRATED DISHWASHER

- Series 3 ■ 13 place setting
- 5 programmes ■ Aquastop ■ Half load
- Time delay ■ 3 level RackMatic system
- Noise level 48 dB ■ DosageAssist
- Height adjustable 865mm - 925mm
- Water consumption 12 ltrs
- Triple A rated

RRP €691 PRF €5 **TOTAL €696**

(In stock)



S51T69X1 FULLY INTEGRATED DISHWASHER

- Series 6 ■ 14 place setting
- 6 programmes ■ AquaStop
- DosageAssist ■ Touch control
- Noise level 41 dB
- VarioDrawer ■ InfoLight
- Water consumption 10 ltrs
- Triple A rated

RRP €890 PRF €5 **TOTAL €899**

(In stock)

Furniture door required on all semi and fully integrated dishwashers. Full stainless steel door accessory available

LAUNDRY



W5420 FULLY INTEGRATED WASHING MACHINE

- Series 4 ■ CircoCare drum system
- 7kg drum ■ 15 programmes ■ Inverse logic
- Max spin speed 1200rpm ■ Pause facility
- Variable spin ■ AquaStop
- Water consumption 49 ltrs
- Noise level 54 dB wash / 71 dB spin max
- AAB rated

FULLY INTEGRATED (In stock)

RRP €890 PRF €5 **TOTAL €895**



W5440 FULLY INTEGRATED WASHING MACHINE

- Series 5 ■ CircoCare drum system
- 7kg drum ■ 15 programmes ■ Inverse logic
- Max spin speed 1400rpm
- AquaStop ■ Time delay
- Water consumption 49 ltrs
- Noise level 52 dB wash / 69 dB spin max
- AAB rated

FULLY INTEGRATED (4-5 day lead time)

RRP €990 PRF €5 **TOTAL €995**



W5340 FULLY INTEGRATED WASHER DRYER

- Series 5 ■ Washer Dryer
- 5kg drum ■ 15 programmes ■ AquaSecure plus
- Max spin speed 1400rpm
- Time delay ■ Reduced time options
- Water consumption 49ltrs
- Noise level 57 dB wash / 74 dB spin max
- BAB rated

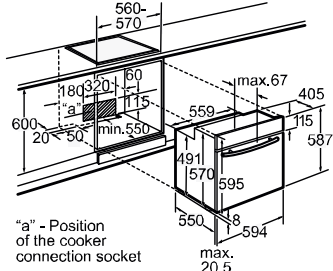
FULLY INTEGRATED (In stock)

RRP €1,289 PRF €5 **TOTAL €1,294**

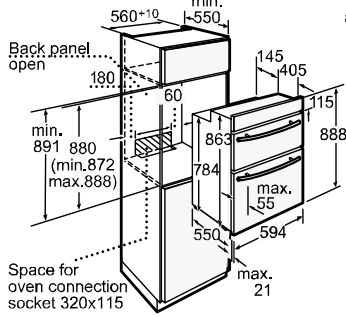
The line drawings in this brochure are provided as a guide to general dimensions only and are subject to amendment without prior notice. For full dimensional and installation details please refer to the documentation supplied with the appliance.

OVENS

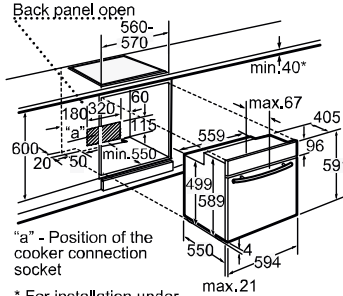
BI 4M42/BI 4M62/BI 5M42/BI 5M62/
BI 5E42/BI 5E54



UI 4M52/UI 5M42/
UI 5M62/UI 5E42

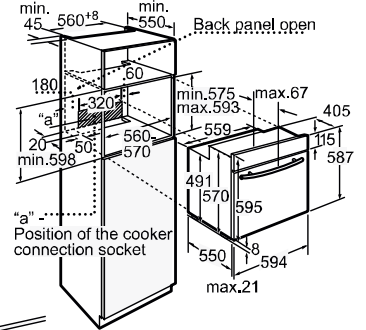


B45M42/B45M62/B45E42/B45E54

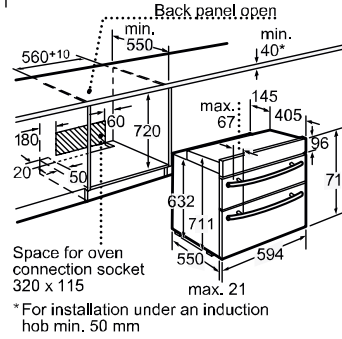


* "a" - Position of the cooker connection socket
* For installation under an induction hob, min. 50

BI 5P42



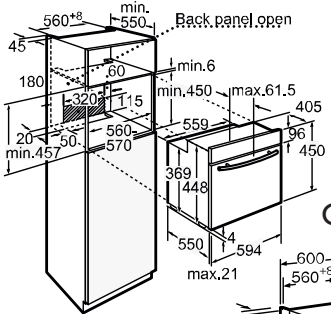
UI 7M42



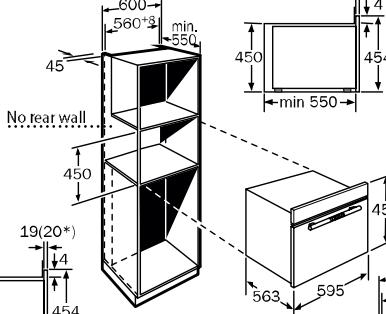
* For installation under an induction hob min. 50 mm

IN-LINE COLLECTION COMPACT APPLIANCES

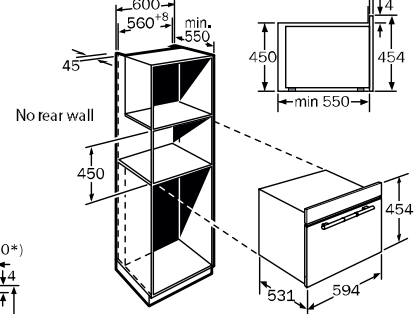
C17E74



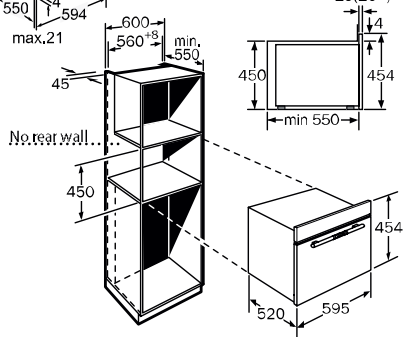
C57M70



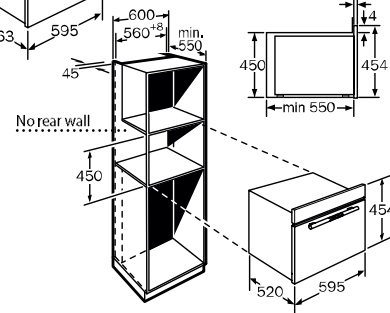
C67M70/C67P70



C47C22



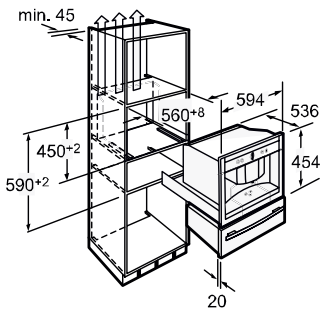
C47C22



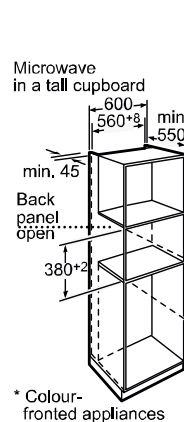
*Stainless steel

IN-LINE COFFEE MACHINE

C77V60

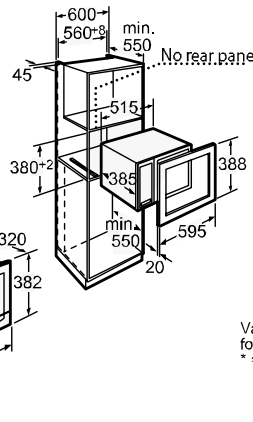


C54L70

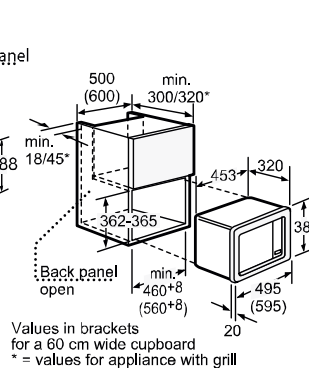


BUILT-IN COMPACT MICROWAVES

H56W20



H53W50

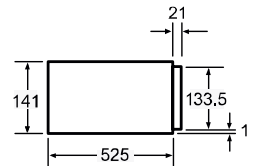


Values in brackets for a 60 cm wide cupboard
* = values for appliance with grill

* Colour-fronted appliances

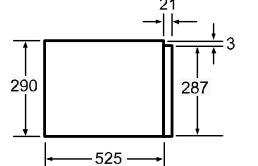
WARMING DRAWERS

N21H40/N21H45/N21H10



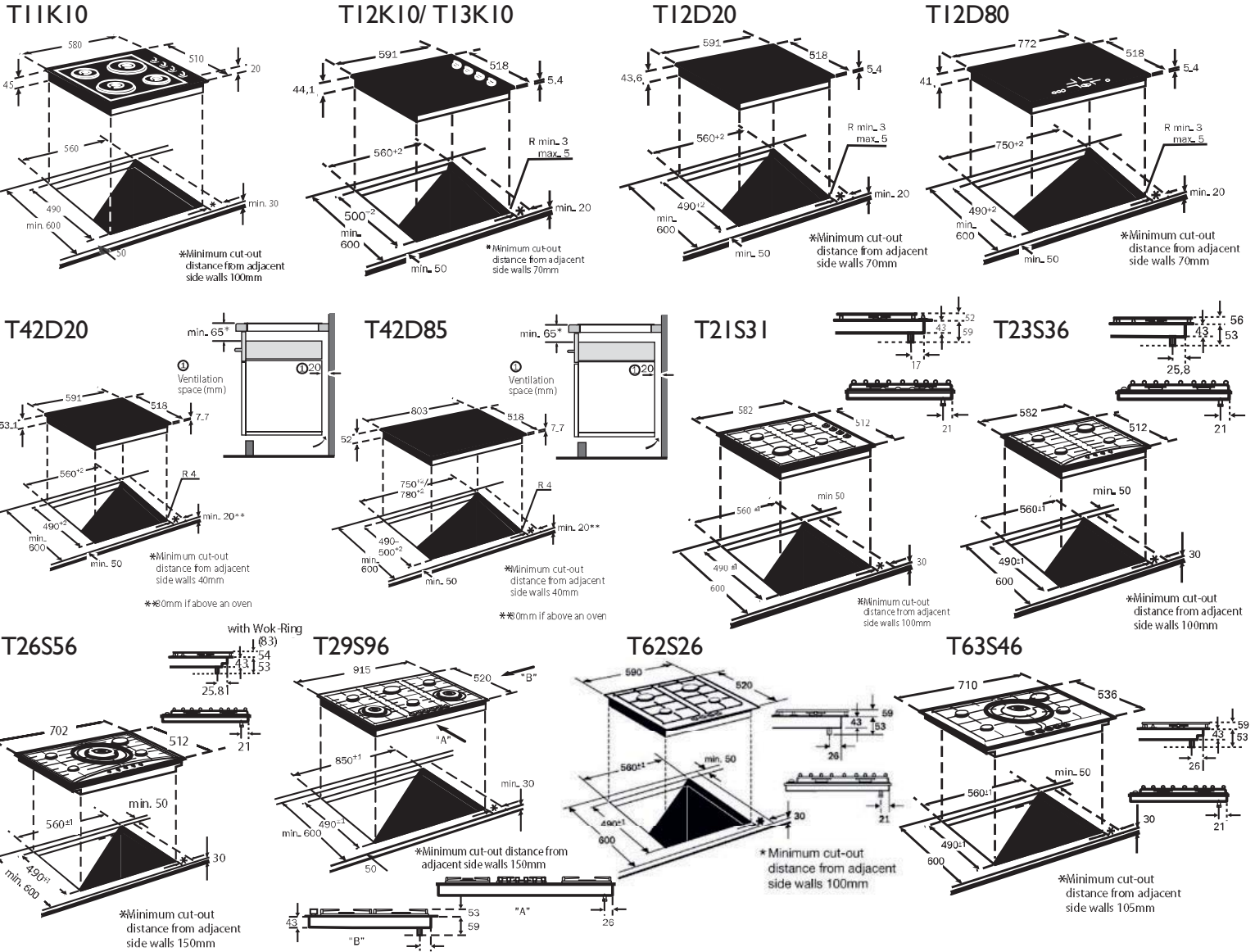
Compact appliances with a height of 454 mm can be installed above a warming drawer in the N21 range. An intermediate floor is not required.

N22H40

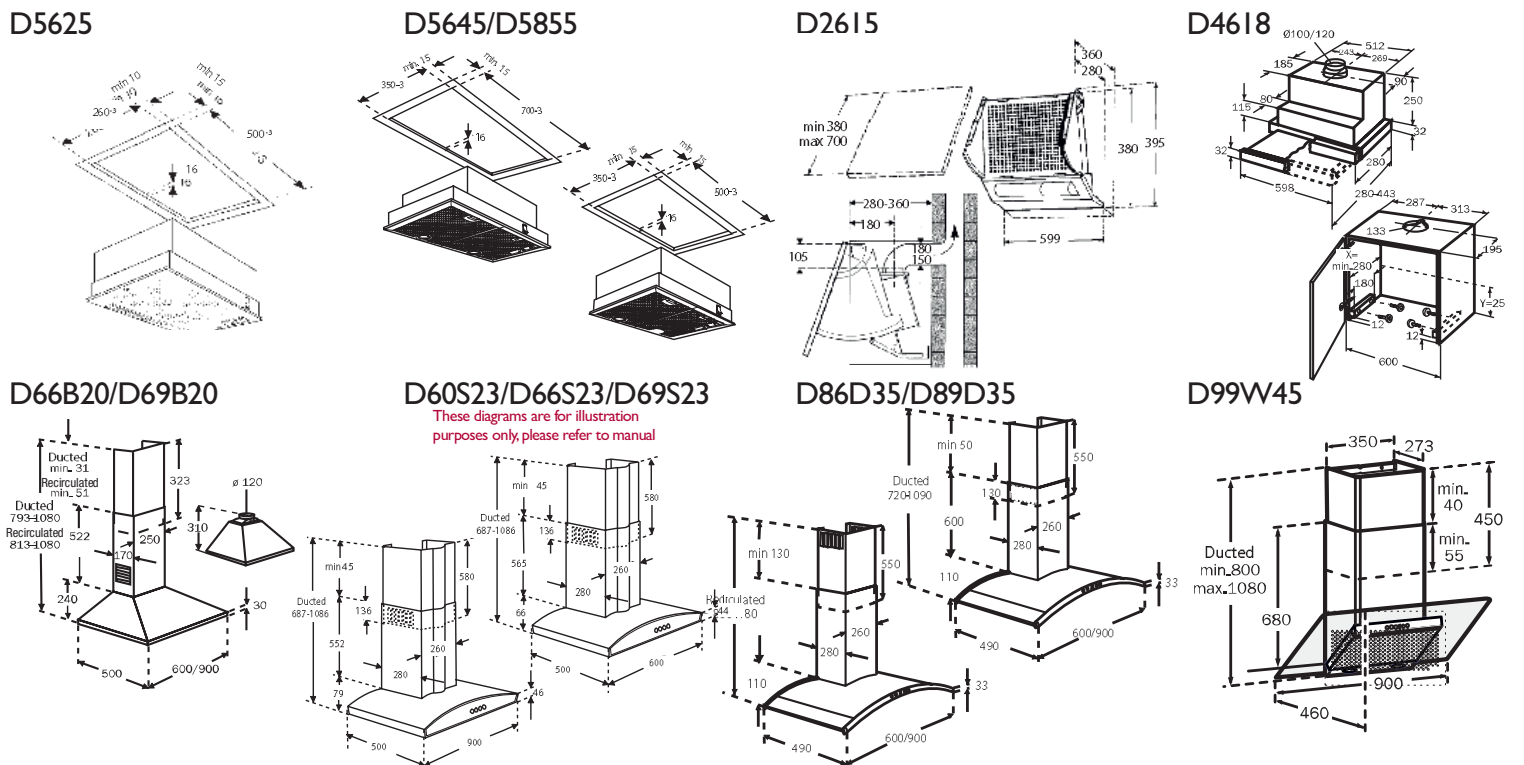


Ovens with a height of 595 mm can be installed above a warming drawer in the N22 range. An intermediate floor is not required.

HOBS

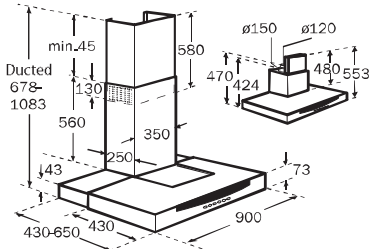


HOODS



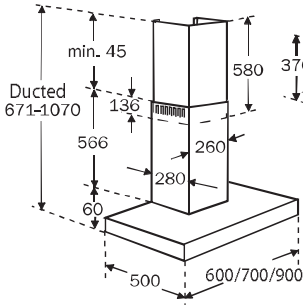
HOODS

D99A58



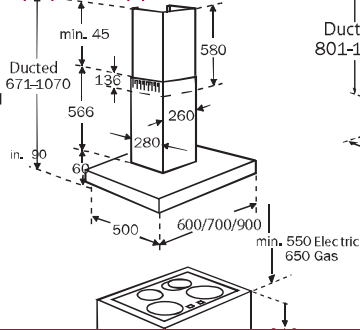
D76E21/D79E21/D77E21

These diagrams are for illustration purposes only, please refer to manual

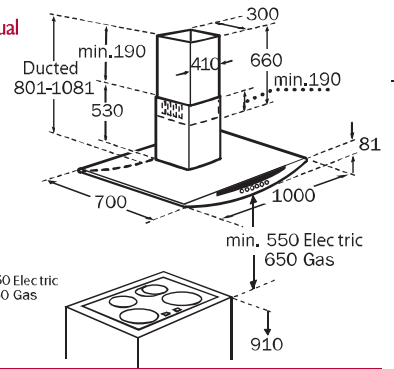


I71F45

These diagrams are for illustration purposes only, please refer to manual

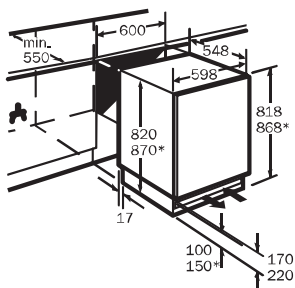


I91T58

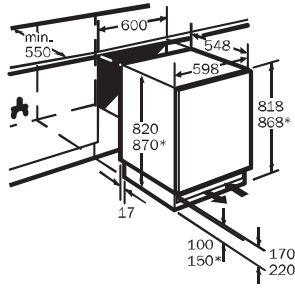


REFRIGERATION

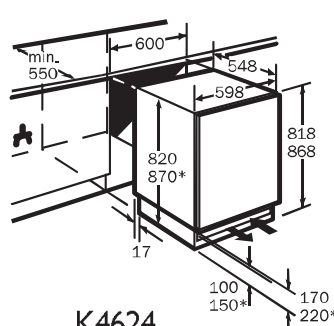
K4316



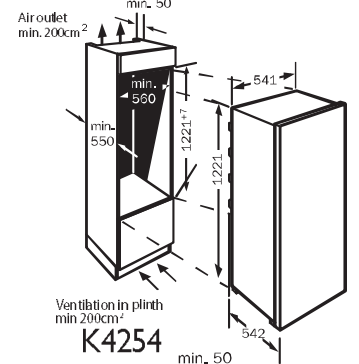
G4344



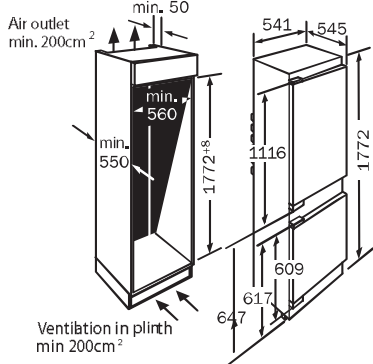
K4336



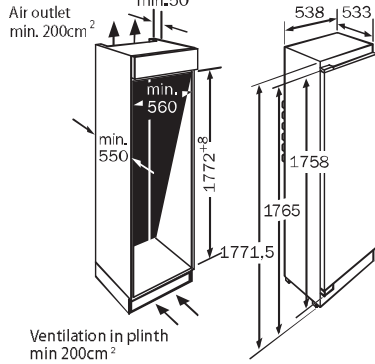
K5654/K5624



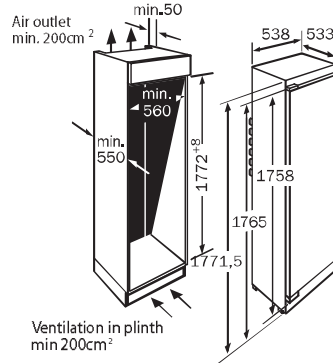
K9524/K8524



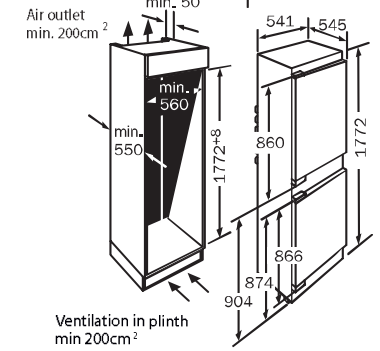
K4664



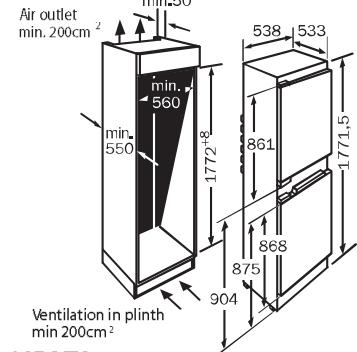
K4624



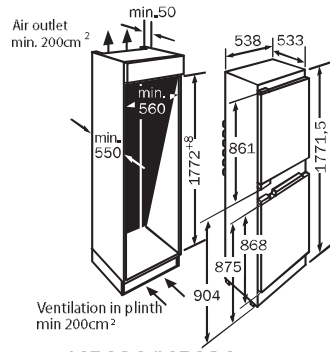
K4254



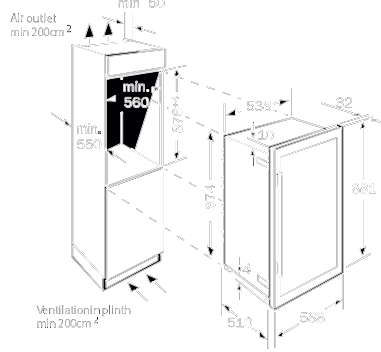
K9724



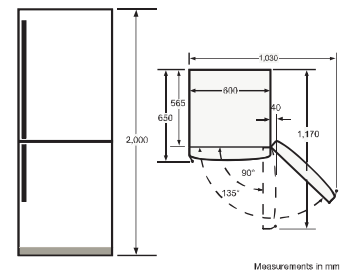
K5604/G4344



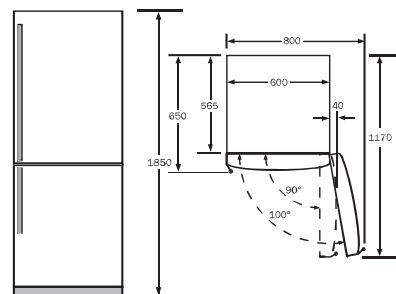
K3670



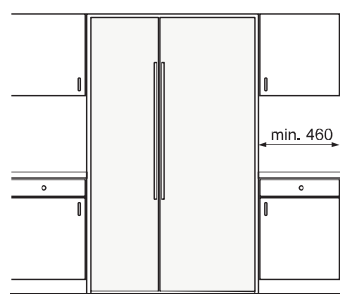
K5880



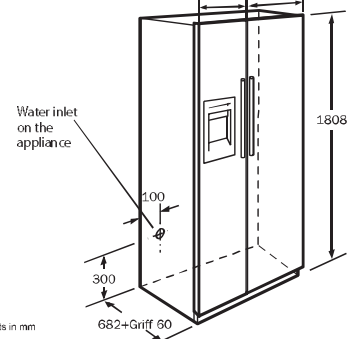
K5870



K5920/K5930



K3990

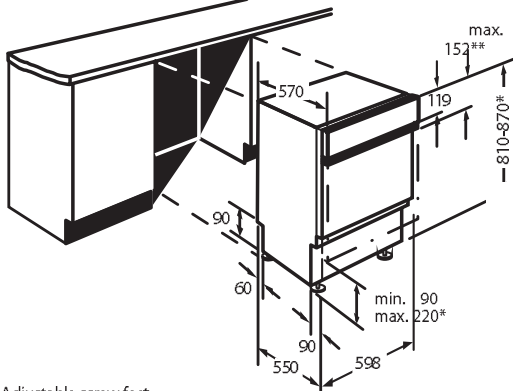


Measurements in mm

Measurements in mm

DISHWASHERS

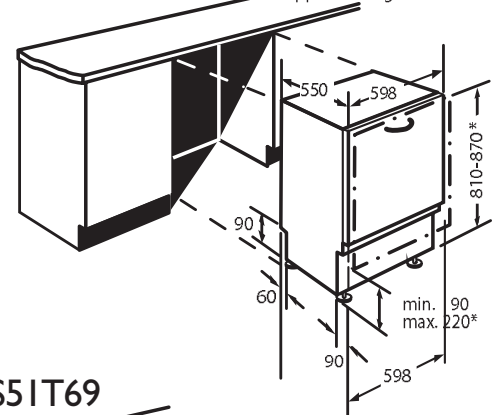
S44E45/S41M50/S41T69



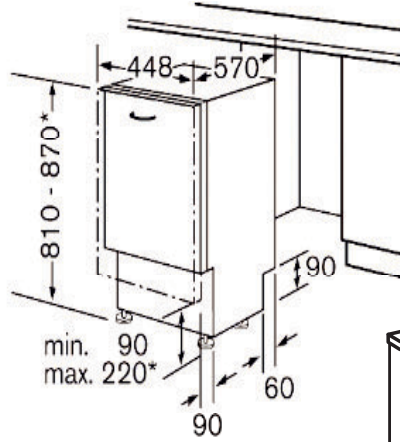
* Adjustable screw feet
Base measurements 90-160mm for appliance height 810mm
Base measurements 150-220mm for appliance height 870mm

S54M45/S51E50

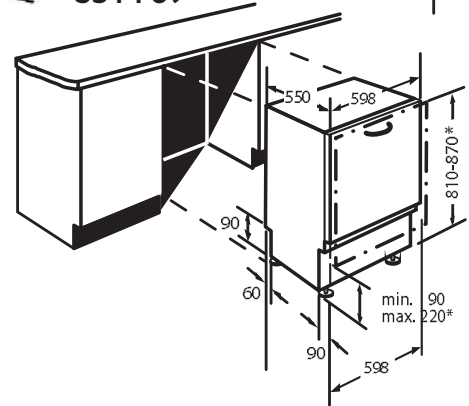
* Adjustable screw feet
Base measurements 90-160mm for appliance height 810mm
Base measurements 150-220mm for appliance height 870mm



S5943X2

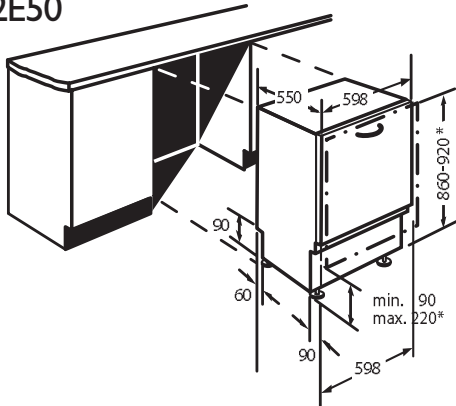


S51T69



* Adjustable screw feet
Base measurements 90-160mm for appliance height 810mm
Base measurements 150-220mm for appliance height 870mm

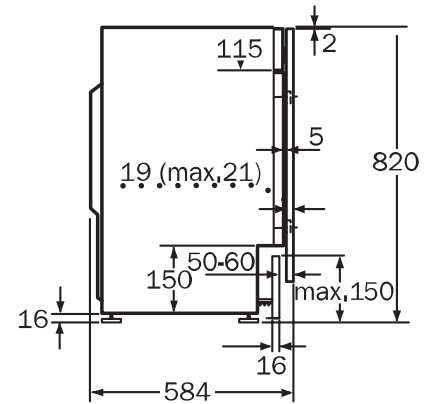
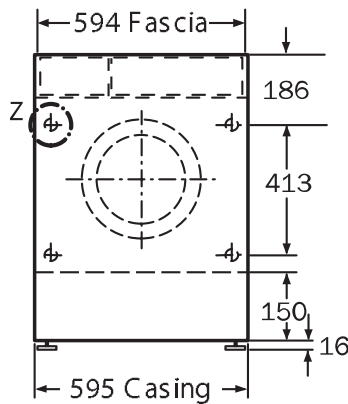
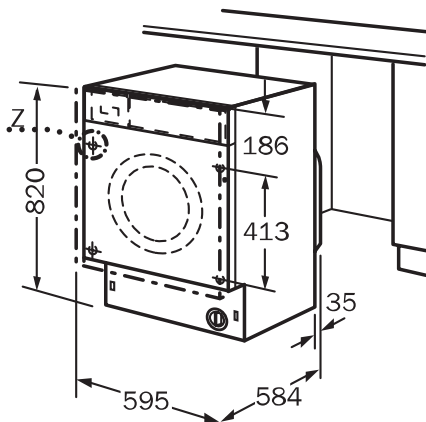
S52E50



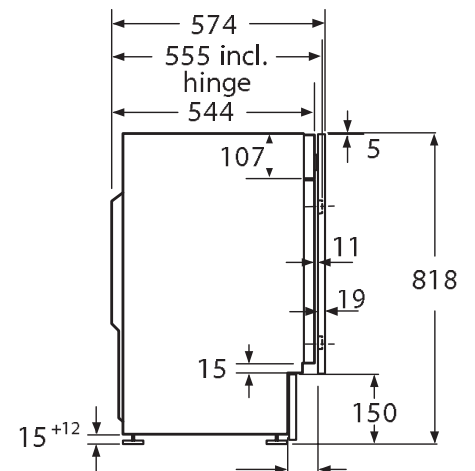
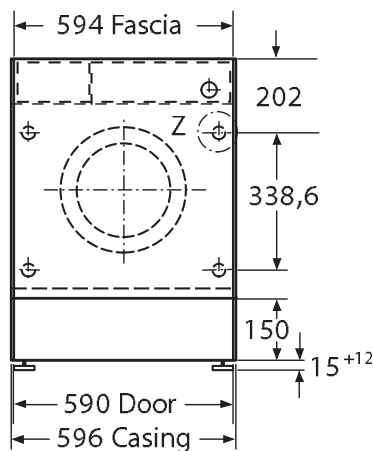
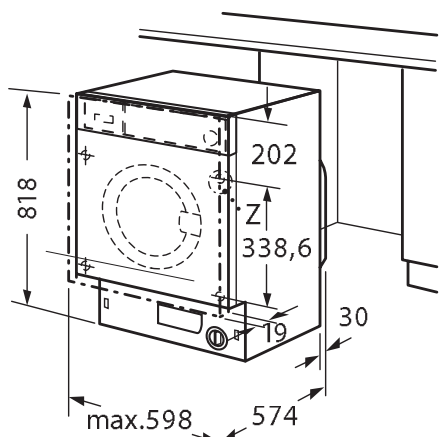
* Adjustable screw feet
Base measurements 90-160mm for appliance height 860mm
Base measurements 150-220mm for appliance height 920mm

LAUNDRY

V5340X0GB



W5420/W5440



At Neff, we believe the relationship with our customers doesn't begin or end when you purchase a set of appliances. At our state of the art Advisory Centre in Citywest you can get unrivalled access to a huge range of products on display and an expert advisor to guide your choice of Neff appliances to make your kitchen really special.

Not only will you receive expert advice on Neff appliances before you buy them, but afterwards we will also show you how to use them. With Neff demonstrations held in our demonstration theatre, you will be shown exactly how these appliances can make life in your kitchen more pleasurable.



Why not book an appointment with our expert advisors, or book a place at one of our Neff demonstrations by calling **01 4136400**. Alternatively you can ask your Neff stockist to book it for you and fill in the form below, which you can bring with you to your appointment.

Our product demonstrator also holds Neff demonstrations in kitchen retailer showrooms throughout the country. To find one near you please visit www.neff.ie for our latest calendar of events.

LOCATION MAP

Introduced By:

Retailer:

Salesperson:

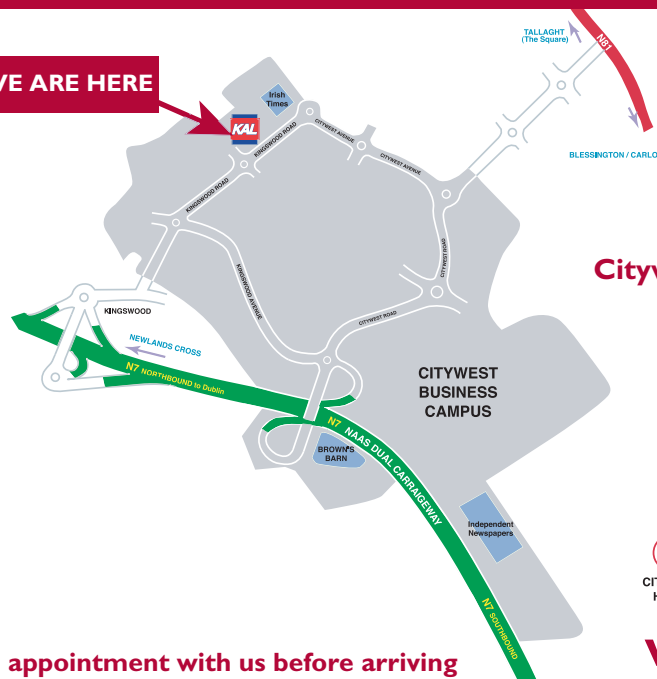
Contact Number

Customer Name:

Appointment Date:

Time:

WE ARE HERE



KAL Advisory Centre
4078 Kingswood Road
Citywest Business Campus
Dublin 24

Phone: 01 413 6400

Fax: 1800 219 219

Email: info@neff.ie



www.neff.ie

To avoid disappointment, please make an appointment with us before arriving

This is a selection from a large range from Germany's leading integrated appliance manufacturer.

See main catalogue & pricelist for full range. Sole importers & Distributors:

KAL GROUP LTD. 4078 KINGSWOOD ROAD, CITYWEST BUSINESS CAMPUS, DUBLIN 24

TELEPHONE: 01 413 6400 FAX: 01 413 6464 EMAIL: [INFO@KAL.IE](mailto:info@kal.ie) WEB: WWW.KAL.IE



Subject to registration, all Neff appliances are covered by a 2 year parts and labour manufacturers guarantee

To retain a service record on all Neff appliances, it is advisable that all service requests are forwarded to:

BSH HOME APPLIANCES, EAST CORNER UNIT, WILLSBOROUGH IND. ESTATE, CLONSHAUGH, DUBLIN 17 TEL 01 450 2655 FAX 01 450 2520